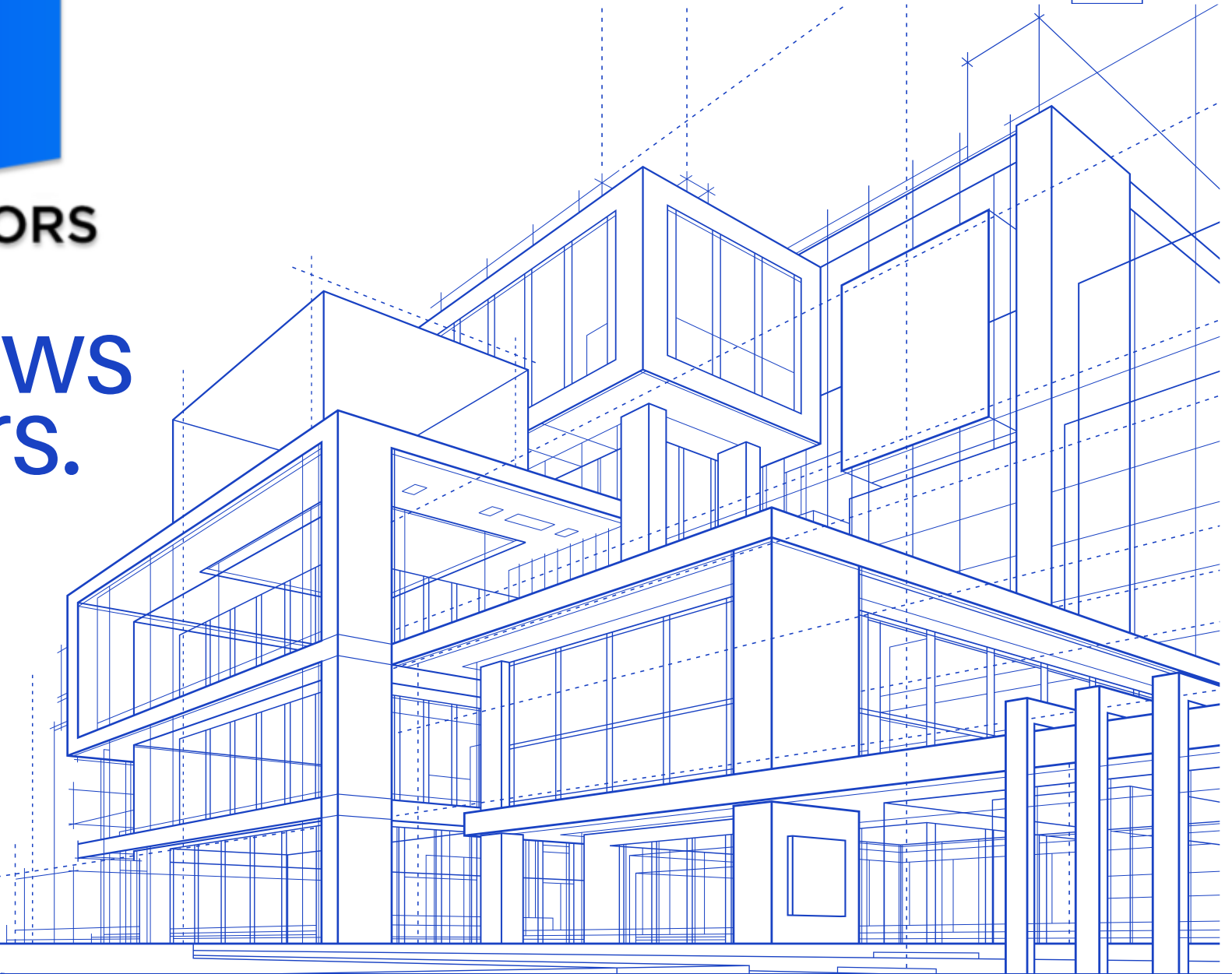




**AVORA DOORS**

**Windows  
& Doors.**



[www.AvoraDoors.com](http://www.AvoraDoors.com)

# PRODUCT



Pivot door 80 .....	2
Series thermal break lift sliding door 150 .....	3
Series heavy duty sliding door 135 .....	4
Series thermal break folding door 68 .....	5
Series thermal break casement door 65 .....	6
Series slim frame casement door 4518 .....	7
Series barn door 4518 .....	8
Series sliding window 86 .....	9
Series fold up window 50 .....	10
Series folding window 50 .....	11
Series folding window 58 .....	12
Series thermal break slim casement window (with retractable screen) 86 .....	13
Series thermal break tilt&turn window with screen 86 .....	14
Series thermal break crank casement window with screen 70 .....	15
Series single/double hung window 100 .....	16
Series thermal break fixed window 86 .....	17
Series thermal break fixed window 110 .....	18
Skylight window .....	19
Glass house .....	20
Glass louvre window .....	21
Aluminum profile color .....	22
Tinted glass .....	23
Laminated glass .....	23
Tempered glass .....	24
Built in blinds (Electric / Magnetic) .....	24
Insulated double glazing .....	25
Window configurations .....	26
Slider configurations .....	26
Folded configurations .....	27
Retractable Screen / WindowDoor .....	28

# PIVOT DOOR

80

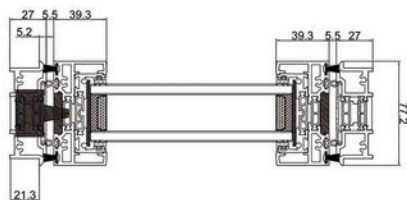
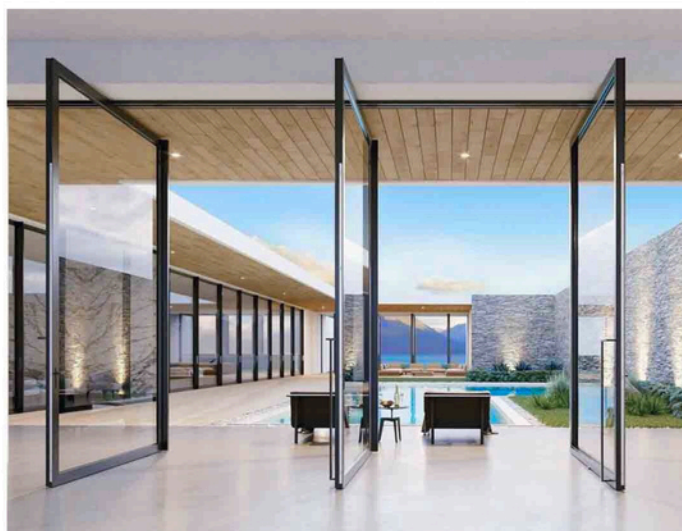
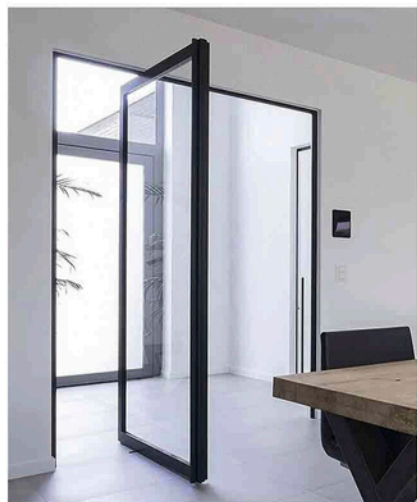


## NFRC Certificate Specification

The pivot door adopts aluminum profile as the frame of the door and tempered glass as the facade. The function can well resist wind, can reduce the dissipation of air conditioning, and has the effect of energy saving and air isolation. The design of the central axis door body is generous and spacious, and the style is high-profile and luxurious.

### PRODUCT CONFIGURATION

Frame Material: 6066-T6 Aluminium  
 Alu-Thickness: 2.0mm 3.0mm  
 Glass Type: Tempered glass, single or double  
 Glass Thickness: 5mm, 6mm, 8mm & 10mm  
 Accessories: Included  
 Color: Ral powder coat or anodized



Accessories:



	Width	Height
<b>Max</b>	70.8661"	137.8"
<b>Min</b>	39.3701"	70.8661"

<b>U-Factor</b>	0.20	
<b>SHGC</b>	0.12	
<b>VT</b>	0.25	
<b>DP</b>	Class CW-PG60	
<b>CR</b>	73	
<b>STC</b>	38	
<b>Specification</b>	6mm/6mm/6mm	42mm. IGO
	0.236"/0.236"/0.236"	1.65". IGO
<b>Triple glass</b>		

<b>U-Factor</b>	0.27	
<b>SHGC</b>	0.35	
<b>VT</b>	0.40	
<b>DP</b>	Class CW-PG60	
<b>CR</b>	49	
<b>STC</b>	32	
<b>Specification</b>	8mm/8mm	43mm. IGO
	0.315"/0.315"	1.69". IGO
<b>Double glass</b>		

# SERIES THERMAL BREAK LIFT SLIDING DOOR

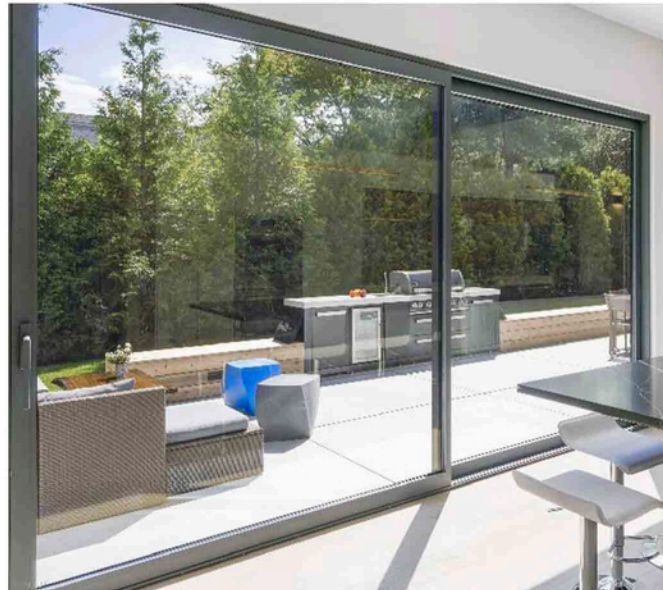
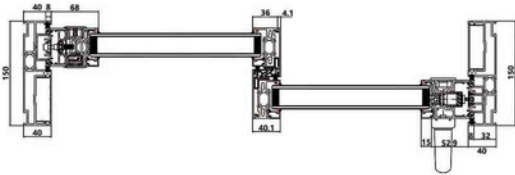
150



The lift sliding door can almost meet the designing needs of any consumer because of glass's reprocessing, baking paint, sand blasting, toughening, special-shaped processing and other characteristics. The sliding door is personalized, fashionable artistic and solid.

## PRODUCT CONFIGURATION

Frame Material: 6066-T6 Aluminium  
 Alu-Thickness: 2.0mm 2.5mm 3.0mm  
 Glass Type: Tempered glass, single or double  
 Glass Thickness: 5mm, 6mm, 8mm & 10mm  
 Accessories: Included  
 Color: Ral powder coat or anodized



Accessories:



Water  
Tightness



Heat  
Insulation



Prevent  
Mist



Air  
Tightness



Sound  
performance



Wind Load  
Resistance

## NFRC Certificate Specification

	Width	Height
<b>Max</b>	472.44"	118.11"
<b>Min</b>	59.0551"	70.8661"

<b>U-Factor</b>	0.23	
<b>SHGC</b>	0.14	
<b>VT</b>	0.29	
<b>DP</b>	Class CW-PG55	
<b>CR</b>	68	
<b>STC</b>	38	
<b>Specification</b>	5mm/5mm/5mm	39mm. IGO
	0.197"/0.197"/0.197"	1.54". IGO
<b>Triple glass</b>		

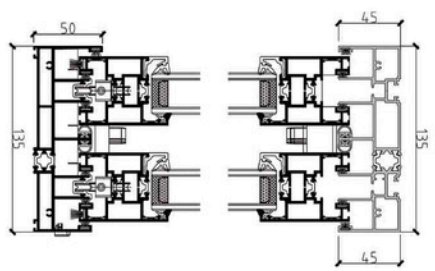
<b>U-Factor</b>	0.29	
<b>SHGC</b>	0.40	
<b>VT</b>	0.48	
<b>DP</b>	Class CW-PG55	
<b>CR</b>	48	
<b>STC</b>	32	
<b>Specification</b>	5mm/5mm	34mm. IGO
	0.197"/0.197"	1.34". IGO
<b>Double glass</b>		

# SERIES HEAVY DUTY SLIDING DOOR

135



The sliding door can almost meet the designing needs of any consumer because of glass's reprocessing, baking paint, sand blasting, toughening, special-shaped processing and other characteristics. The sliding door is personalized, fashionable artistic and solid.



## PRODUCT CONFIGURATION

Frame Material: 6066-T6 Aluminium  
 Alu-Thickness: 2.0mm 2.5mm  
 Glass Type: Tempered glass, single or double  
 Glass Thickness: 5mm, 6mm, 8mm & 10mm  
 Accessories: Included  
 Color: Ral powder coat or anodized



Accessories:



## NFRC Certificate Specification

	Width	Height
<b>Max</b>	472.44"	102.36"
<b>Min</b>	59.0551"	70.8661"

<b>U-Factor</b>	0.23	
<b>SHGC</b>	0.14	
<b>VT</b>	0.29	
<b>DP</b>	Class CW-PG40	
<b>CR</b>	68	
<b>STC</b>	38	
<b>Specification</b>	5mm/5mm/5mm	39mm. IGO
	0.197"/0.197"/0.197"	1.54". IGO
<b>Triple glass</b>		

<b>U-Factor</b>	0.29	
<b>SHGC</b>	0.40	
<b>VT</b>	0.48	
<b>DP</b>	Class CW-PG40	
<b>CR</b>	48	
<b>STC</b>	32	
<b>Specification</b>	5mm/5mm	30mm. IGO
	0.197"/0.197"	1.18". IGO
<b>Double glass</b>		

# SERIES THERMAL BREAK FOLDING DOOR

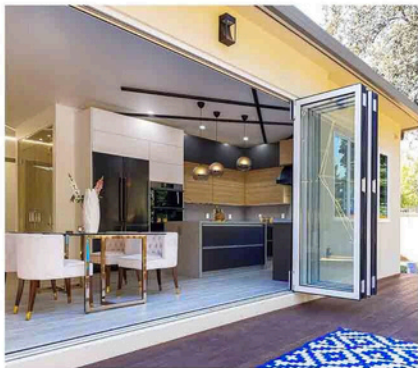
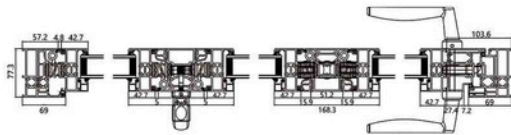
68



Folding doors have thermal insulation, heat insulation, Fire and flame retardant, noise reduction and sound insulation.

## PRODUCT CONFIGURATION

Frame Material: 6066-T6 Aluminium  
 Alu-Thickness: 1.4mm 1.6mm 1.8mm 2.0mm & 2.5mm  
 Glass Type: Tempered glass, single or double  
 Glass Thickness: 5mm, 6mm, 8mm & 10mm  
 Accessories: Included  
 Color: Ral powder coat or anodized



Accessories:



## NFRC Certificate Specification

	Width	Height
<b>Max</b>	590.55"	118.11"
<b>Min</b>	47.2441"	47.2441"
<b>Note: top hung for 9 feet higher</b>		

<b>U-Factor</b>	0.22	
<b>SHGC</b>	0.15	
<b>VT</b>	0.30	
<b>DP</b>	Class CW-PG40	
<b>CR</b>	68	
<b>STC</b>	38	
<b>Specification</b>	5mm/5mm/5mm	39mm. IGO
	0.197"/0.197"/0.197"	1.54". IGO
<b>Triple glass</b>		

<b>U-Factor</b>	0.30	
<b>SHGC</b>	0.31	
<b>VT</b>	0.34	
<b>DP</b>	Class CW-PG40	
<b>CR</b>	46	
<b>STC</b>	32	
<b>Specification</b>	5mm/5mm	37mm. IGO
	0.197"/0.197"	1.46". IGO
<b>Double glass</b>		

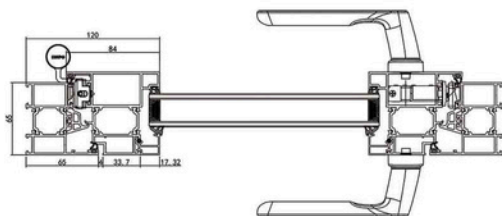
# SERIES THERMAL BREAK CASEMENT DOOR

65



## NFRC Certificate Specification

The casement door has various opening modes, diversified styles and shapes, convenient installation, etc. It has long use period, good sealing good thermal insulation and dust proof performance. It's suitable for all kinds of high, medium and low grade decoration.



### PRODUCT CONFIGURATION

Frame Material: 6066-T6 Aluminium  
 Alu-Thickness: 2.0mm 3.0mm  
 Glass Type: Tempered glass, single or double  
 Glass Thickness: 5mm, 6mm, 8mm & 10mm  
 Accessories: Included  
 Color: Ral powder coat or anodized



Accessories:



Water  
Tightness



Heat  
Insulation



Prevent  
Mist



Air  
Tightness



Sound  
performance



Wind Load  
Resistance

	Width	Height
<b>Max</b>	39.3701"	118.11"
<b>Min</b>	23.622"	47.2441"

<b>U-Factor</b>	0.20	
<b>SHGC</b>	0.12	
<b>VT</b>	0.25	
<b>DP</b>	Class CW-PG60	
<b>CR</b>	73	
<b>STC</b>	38	
<b>Specification</b>	5mm/5mm/5mm	39mm. IGO
	0.197"/0.197"/0.197"	1.54". IGO
<b>Triple glass</b>		

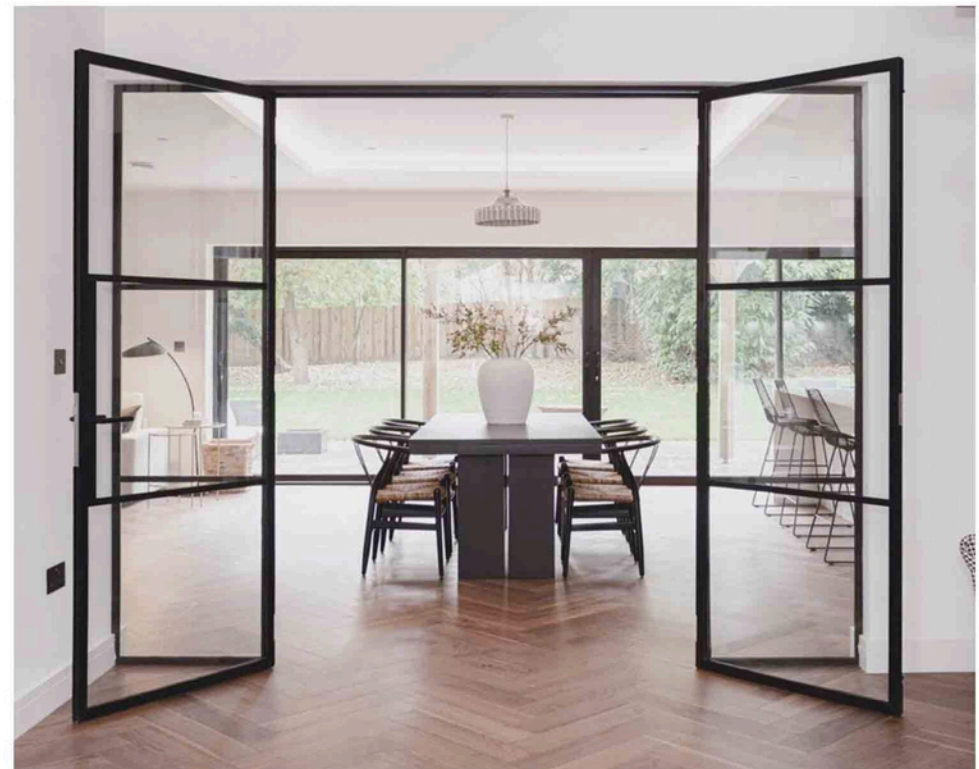
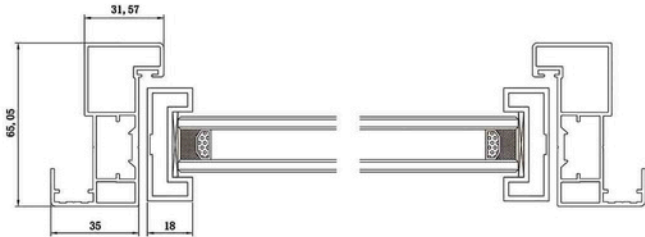
<b>U-Factor</b>	0.30	
<b>SHGC</b>	0.31	
<b>VT</b>	0.34	
<b>DP</b>	Class CW-PG60	
<b>CR</b>	46	
<b>STC</b>	32	
<b>Specification</b>	5mm/5mm	34mm. IGO
	0.197"/0.197"	1.34". IGO
<b>Double glass</b>		

# SERIES SLIM FRAME CASEMENT DOOR

## 4518



The casement door has various opening modes, diversified styles and shapes, convenient installation, etc. It has long use period, good sealing, good thermal insulation and dust-proof performance. It's suitable for all kinds of high, medium and low grade decoration.



### PRODUCT CONFIGURATION

Frame Material: 6066-T6 Aluminium

Alu-Thickness: 2.5mm

Glass Type: Tempered glass, single or double

Glass Thickness: 5mm, 6mm, 8mm & 10mm

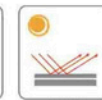
Accessories: Included

Color: Ral powder coat or anodized

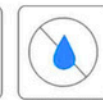
Accessories:



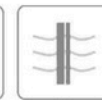
Water  
Tightness



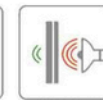
Heat  
Insulation



Prevent  
Mist



Air  
Tightness



Sound  
performance



Wind Load  
Resistance

# BARN DOOR

## 4518



### PRODUCT CONFIGURATION

Frame Material: 6066-T6 Aluminium

Alu-Thickness: 2.5mm

Glass Type: Tempered glass, single or double

Glass Thickness: 5mm, 6mm, 8mm & 10mm

Accessories: Included

Color: Ral powder coat or anodized

Barn door in people's impression is often considered to have a kind of American rural styles. Modern new barn door after processing design provides variety of choices in color and shape color and shape, and possesses excellent function in decoration. At the same time, the barn door also saves more space, and solves the problem that opening size is too small to install the sliding door.



Accessories:



# SERIES THERMAL BREAK SLIDING WINDOW

86

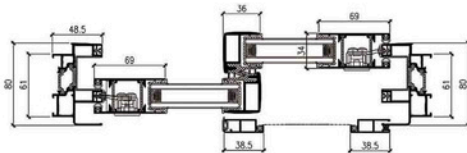


Sliding window has the advantage of space saving, exterior beauty, price economy and good leakproofness. It can be opened flexibly with a simple push because of high-grade slippery course. Using large glass not only increases the indoor lighting, but also improves the overall appearance of the building.

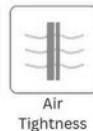


## PRODUCT CONFIGURATION

Frame Material: 6066-T6 Aluminium  
 Alu-Thickness: 1.6mm 2.0mm  
 Glass Type: Tempered glass, single or double  
 Glass Thickness: 5mm, 6mm, 8mm & 10mm  
 Accessories: Included  
 Color: Ral powder coat or anodized



Accessories:



## NFRC Certificate Specification

	Width	Height
<b>Max</b>	94.4882"	70.8661"
<b>Min</b>	23.622"	23.622"

<b>U-Factor</b>	0.43
<b>SHGC</b>	0.16
<b>VT</b>	0.29
<b>DP</b>	Class CW-PG40
<b>CR</b>	45
<b>STC</b>	38

<b>U-Factor</b>	0.43
<b>SHGC</b>	0.41
<b>VT</b>	0.46
<b>DP</b>	Class CW-PG40
<b>CR</b>	45
<b>STC</b>	32
<b>Specification</b>	5mm/5mm      25mm. IGO
	0.197"/0.197"      0.984". IGO
<b>Double glass</b>	

# SERIES FOLD UP WINDOW

50



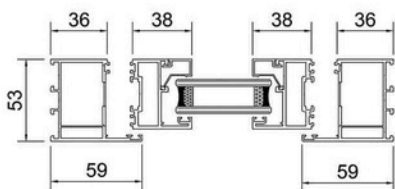
## NFRC Certificate Specification

The fold up windows have elegant decorative effects, colorful colors and novel and fashionable appearances. The folding panels can be stopped at any position, and the height can be adjusted as needed. The glass selection is diversified. In addition, the fold up windows are made of aluminum alloy and the surface is artificial The oxide film is combined with color to form a composite film layer, which is not only corrosion-resistant, abrasion-resistant, and scrub-resistant, but also has a certain fire resistance.



### PRODUCT CONFIGURATION

Frame Material: 6066-T6 Aluminium  
 Alu-Thickness: 2.0mm  
 Glass Type: Tempered glass, single or double  
 Glass Thickness: 5mm, 6mm, 8mm & 10mm  
 Accessories: Included  
 Color: Ral powder coat or anodized



Accessories:



	Width	Height
<b>Max</b>	78.7402"	78.7402"
<b>Min</b>	23.622"	21.65"

<b>U-Factor</b>	0.42
<b>SHGC</b>	0.17
<b>VT</b>	0.32
<b>DP</b>	Class CW-PG30
<b>CR</b>	33
<b>STC</b>	38

<b>U-Factor</b>	0.45
<b>SHGC</b>	0.45
<b>VT</b>	0.51
<b>DP</b>	Class CW-PG30
<b>CR</b>	32
<b>STC</b>	32
<b>Specification</b>	5mm/5mm      22mm. IGO
	0.197"/0.197"      0.866". IGO
<b>Double glass</b>	

# SERIES FOLDING WINDOW

50



The folding glass windows products are gorgeous in appearance and durable, beautiful in colors and colorful with smooth texture. So they can be perfectly matched with the interior decoration style or doors and Windows.



## PRODUCT CONFIGURATION

Frame Material: 6066-T6 Aluminium  
 Alu-Thickness: 2.0mm  
 Glass Type: Tempered glass, single or double  
 Glass Thickness: 5mm, 6mm, 8mm & 10mm  
 Accessories: Included  
 Color: Ral powder coat or anodized



Accessories:



Water  
Tightness



Heat  
Insulation



Prevent  
Mist



Air  
Tightness



Sound  
performance



Wind Load  
Resistance

## NFRC Certificate Specification

	Width	Height
<b>Max</b>	177.17"	70.8661"
<b>Min</b>	23.622"	23.622"

<b>U-Factor</b>	0.42
<b>SHGC</b>	0.17
<b>VT</b>	0.32
<b>DP</b>	Class CW-PG30
<b>CR</b>	33
<b>STC</b>	38

<b>U-Factor</b>	0.45
<b>SHGC</b>	0.45
<b>VT</b>	0.51
<b>DP</b>	Class CW-PG30
<b>CR</b>	32
<b>STC</b>	32
<b>Specification</b>	5mm/5mm      19mm. IGO
	0.197"/0.197"      0.748". IGO
<b>Double glass</b>	

# SERIES FOLDING WINDOW

58

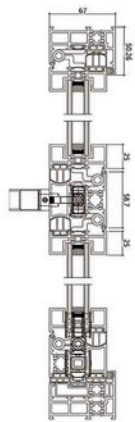


The folding glass windows products are gorgeous in appearance and durable, beautiful ni colors and colorful with smooth texture. So they can be perfectly matched with the interior decoration style or doors and Windows.



## PRODUCT CONFIGURATION

Frame Material: 6066-T6 Aluminium  
 Alu-Thickness: 2.0mm  
 Glass Type: Tempered glass, single or double  
 Glass Thickness: 5mm, 6mm, 8mm & 10mm  
 Accessories: Included  
 Color: Ral powder coat or anodized



Accessories:



Water  
Tightness



Heat  
Insulation



Prevent  
Mist



Air  
Tightness



Sound  
performance



Wind Load  
Resistance

## NFRC Certificate Specification

	Width	Height
<b>Max</b>	220.47"	94.4882"
<b>Min</b>	35.4331"	39.3701"

<b>U-Factor</b>	0.42
<b>SHGC</b>	0.17
<b>VT</b>	0.32
<b>DP</b>	Class CW-PG30
<b>CR</b>	33
<b>STC</b>	38

<b>U-Factor</b>	0.45
<b>SHGC</b>	0.45
<b>VT</b>	0.51
<b>DP</b>	Class CW-PG30
<b>CR</b>	32
<b>STC</b>	32

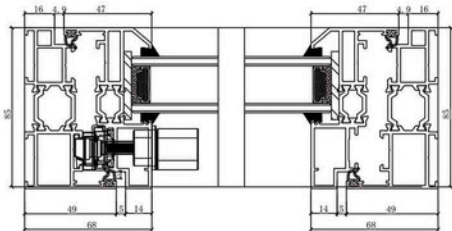
<b>Specification</b>	5mm/5mm	22mm. IGO
	0.197"/0.197"	0.866". IGO

**Double glass**

# SERIES THERMAL BREAK SLIM CASEMENT WINDOW (WITH RETRACTABLE SCREEN) 86

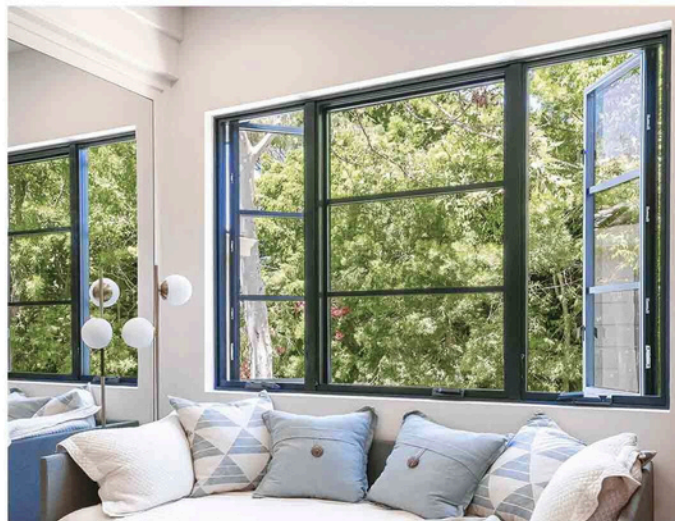


The casement window has various opening modes, diversified styles and shapes, convenient installation, etc. It has long use period, good sealing, good thermal insulation and dust proof performance. It is suitable for all kinds of high, medium and low grade decoration.

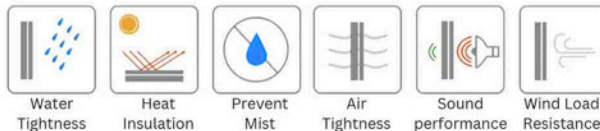


## PRODUCT CONFIGURATION

- Frame Material: 6066-T6 Aluminium
- Alu-Thickness: 1.8mm 2.0mm
- Glass Type: Tempered glass, single or double
- Glass Thickness: 5mm, 6mm, 8mm & 10mm
- Accessories: Included
- Color: Ral powder coat or anodized



Accessories:



## NFRC Certificate Specification

	Width	Height
<b>Max</b>	39.3701"	70.8661"
<b>Min</b>	19.685"	23.622"

<b>U-Factor</b>	0.29	
<b>SHGC</b>	0.12	
<b>VT</b>	0.21	
<b>DP</b>	Class CW-PG60	
<b>CR</b>	54	
<b>STC</b>	38	
<b>Specification</b>	5mm/5mm/5mm	39mm. IGO
	0.197"/0.197"/0.197"	1.54". IGO
<b>Triple glass</b>		

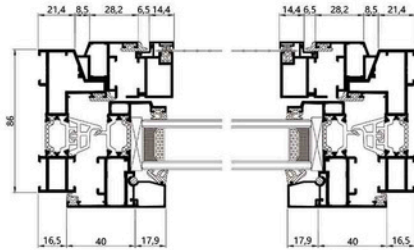
<b>U-Factor</b>	0.30	
<b>SHGC</b>	0.31	
<b>VT</b>	0.34	
<b>DP</b>	Class CW-PG60	
<b>CR</b>	46	
<b>STC</b>	32	
<b>Specification</b>	5mm/5mm	34mm. IGO
	0.197"/0.197"	1.34". IGO
<b>Double glass</b>		

# SERIES THERMAL BREAK TILT&TURN WINDOW WITH SCREEN

86



The casement window has various opening modes, diversified styles and shapes, convenient installation, etc. It has long use period, good sealing, good thermal insulation and dust-proof performance. It's suitable for all kinds of high, medium and low grade decoration.



## PRODUCT CONFIGURATION

Frame Material: 6066-T6 Aluminium  
 Alu-Thickness: 1.8mm 2.0mm  
 Glass Type: Tempered glass, single or double  
 Glass Thickness: 5mm, 6mm, 8mm & 10mm  
 Accessories: Included  
 Color: Ral powder coat or anodized



Accessories:



## NFRC Certificate Specification

	Width	Height
<b>Max</b>	47.2441"	94.4882"
<b>Min</b>	19.685"	25.5906"

<b>U-Factor</b>	0.20	
<b>SHGC</b>	0.36	
<b>VT</b>	0.41	
<b>DP</b>	Class CW-PG60	
<b>CR</b>	67	
<b>STC</b>	38	
<b>Specification</b>	5mm/5mm/5mm	39mm. IGO
	0.197"/0.197"/0.197"	1.54". IGO
<b>Triple glass</b>		

<b>U-Factor</b>	0.27	
<b>SHGC</b>	0.35	
<b>VT</b>	0.40	
<b>DP</b>	Class CW-PG60	
<b>CR</b>	49	
<b>STC</b>	32	
<b>Specification</b>	5mm/5mm	34mm. IGO
	0.197"/0.197"	1.34". IGO
<b>Double glass</b>		

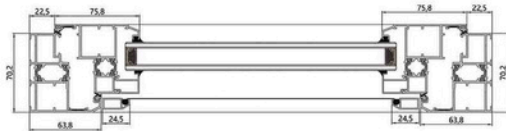
# SERIES THERMAL BREAK CRANK CASEMENT WINDOW WITH SCREEN 70



The appearance style is elegant and solemn, with excellent wind-resistant, water-tight, air-tight, heat preservation and sound insulation performance. It adopts the frame structure with low outside and high inside, which has excellent waterproof performance. The American - style installation nail fin structure can effectively solve the leakage problem in the installation process.

## PRODUCT CONFIGURATION

Frame Material: 6066-T6 Aluminium  
 Alu-Thickness: 1.8mm 2.0mm  
 Glass Type: Tempered glass, single or double  
 Glass Thickness: 5mm, 6mm, 8mm & 10mm  
 Accessories: Included  
 Color: Ral powder coat or anodized



Accessories:



## NFRC Certificate Specification

	Width	Height
<b>Max</b>	39.3701"	70.8661"
<b>Min</b>	19.685"	19.685"

<b>U-Factor</b>	0.33	
<b>SHGC</b>	0.12	
<b>VT</b>	0.21	
<b>DP</b>	Class CW-PG40	
<b>CR</b>	54	
<b>STC</b>	38	
<b>Specification</b>	5mm/5mm/5mm	27mm. IGO
	0.197"/0.197"/0.197"	1.06". IGO
<b>Triple glass</b>		

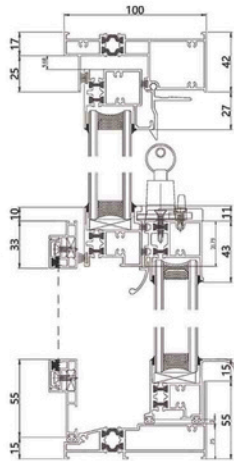
<b>U-Factor</b>	0.38	
<b>SHGC</b>	0.31	
<b>VT</b>	0.34	
<b>DP</b>	Class CW-PG40	
<b>CR</b>	46	
<b>STC</b>	32	
<b>Specification</b>	5mm/5mm	25mm. IGO
	0.197"/0.197"	0.984". IGO
<b>Double glass</b>		

# SERIES SINGLE/DOUBLE HUNG WINDOW 100



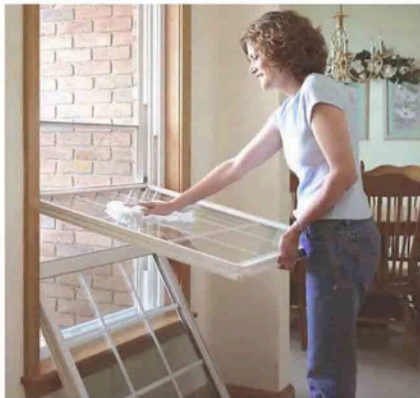
## NFRC Certificate Specification

Double hung window has superior energy saving, heat preservation, dust and noise reduction and excellent wind pressure resistance; beautiful lines, wide viewing angle.



### PRODUCT CONFIGURATION

Frame Material: 6063-T6 Aluminium  
 Alu-Thickness: 1.4mm 1.6mm 1.8mm 2.0mm&2.5mm  
 Glass Type: Tempered glass, single or double  
 Glass Thickness: 5mm, 6mm, 8mm &10mm  
 Accessories: Included  
 Color: Ral powder coat or anodized



Accessories:



	Width	Height
<b>Max</b>	94.4882"	70.8661"
<b>Min</b>	23.622"	23.622"

<b>U-Factor</b>	0.43
<b>SHGC</b>	0.16
<b>VT</b>	0.29
<b>DP</b>	Class CW-PG40
<b>CR</b>	45
<b>STC</b>	38

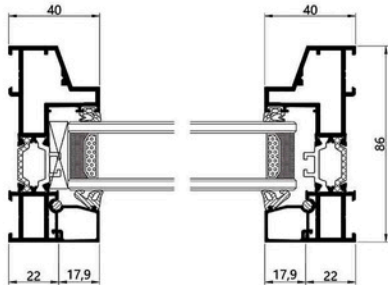
<b>U-Factor</b>	0.43
<b>SHGC</b>	0.41
<b>VT</b>	0.46
<b>DP</b>	Class CW-PG40
<b>CR</b>	45
<b>STC</b>	32
<b>Specification</b>	5mm/5mm      25mm. IGO
	0.197"/0.197"      0.984". IGO
<b>Double glass</b>	

# FIXED WINDOW

86

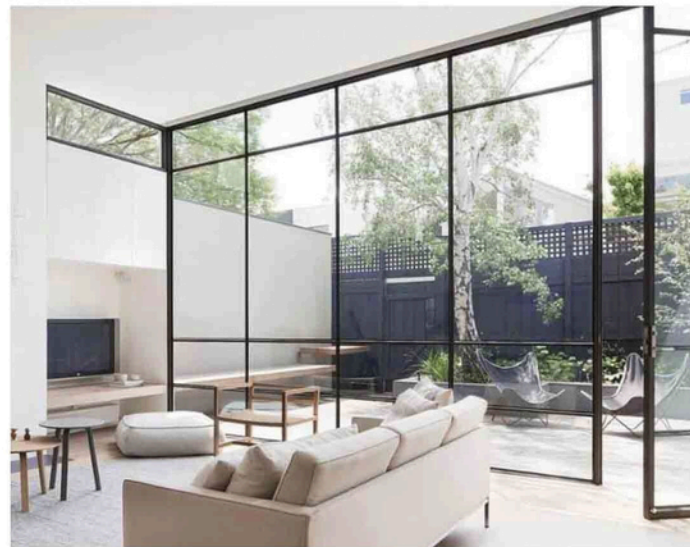


fixed window have thermal insulation, heat insulation, fire and flame retardant, noise reduction and sound insulation



## PRODUCT CONFIGURATION

Frame Material: 6063-T5 Aluminium  
 Alu-Thickness: 2.0mm  
 Glass Type: Tempered glass, single or double  
 Glass Thickness: 5mm, 6mm, 8mm & 10mm  
 Open Direction: fixed



Accessories:



## NFRC Certificate Specification

	Width	Height
<b>Max</b> (each panel size)	47.2441"	98.4252"
<b>Min</b>	—	—

<b>U-Factor</b>	0.20	
<b>SHGC</b>	0.36	
<b>VT</b>	0.41	
<b>DP</b>	Class CW-PG60	
<b>CR</b>	67	
<b>STC</b>	38	
<b>Specification</b>	5mm/5mm/5mm	39mm. IGO
	0.197"/0.197"/0.197"	1.54". IGO
<b>Triple glass</b>		

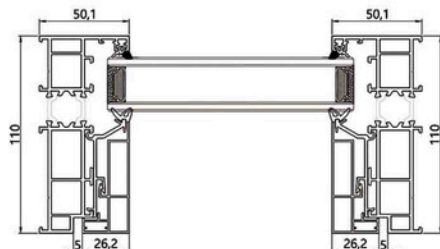
<b>U-Factor</b>	0.27	
<b>SHGC</b>	0.35	
<b>VT</b>	0.40	
<b>DP</b>	Class CW-PG60	
<b>CR</b>	49	
<b>STC</b>	32	
<b>Specification</b>	5mm/5mm	34mm. IGO
	0.197"/0.197"	1.34". IGO
<b>Double glass</b>		

# FIXED WINDOW 110



## NFRC Certificate Specification

fixed window have thermal insulation, heat insulation, fire and flame retardant, noise reduction and sound insulation



### PRODUCT CONFIGURATION

Frame Material: 6063-T5 aluminum  
 Alu-Thickness: 1.8mm , 2.0mm  
 Glass Type: tempered glass, single or double  
 Glass Thickness: 5mm,6mm,8mm,&10mm  
 Open Direction: fixed



Accessories:



	Width	Height
<b>Max</b> (each panel size)	59.0551"	118.11"
<b>Min</b>	—	—

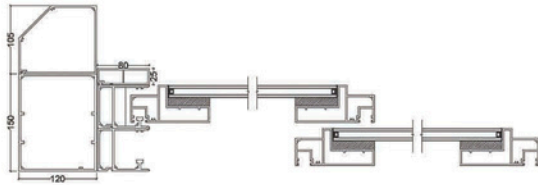
<b>U-Factor</b>	0.33	
<b>SHGC</b>	0.12	
<b>VT</b>	0.21	
<b>DP</b>	Class CW-PG40	
<b>CR</b>	54	
<b>STC</b>	38	
<b>Specification</b>	5mm/5mm/5mm	27mm. IGO
	0.197"/0.197"/0.197"	1.06". IGO
<b>Triple glass</b>		

<b>U-Factor</b>	0.38	
<b>SHGC</b>	0.31	
<b>VT</b>	0.34	
<b>DP</b>	Class CW-PG40	
<b>CR</b>	46	
<b>STC</b>	32	
<b>Specification</b>	5mm/5mm	25mm. IGO
	0.197"/0.197"	0.984". IGO
<b>Double glass</b>		

# SKYLIGHT WINDOW 100



Electric skylight window, Is not only environmental , but also easy to be used.In the meantime, power sunroof of sunshine room can facilitate room of independent double entry and conjoined double entry structure to increase usable floor area.

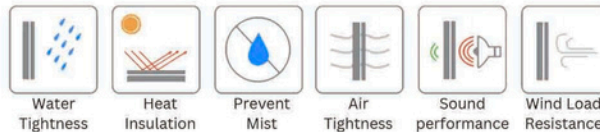


## PRODUCT CONFIGURATION

Frame Material: 6063-T6 Aluminium  
 Alu-Thickness: 1.4mm 1.6mm 1.8mm 2.0mm&2.5mm  
 Glass Type: Tempered glass, single or double  
 Glass Thickness: 5mm, 6mm, 8mm &10mm  
 Accessories: Included  
 Color: Ral powder coat or anodized



Accessories:



## NFRC Certificate Specification

	Width	Height
<b>Max</b> (each panel size)	59.0551"	118.11"
<b>Min</b>	—	—

<b>U-Factor</b>	0.33	
<b>SHGC</b>	0.12	
<b>VT</b>	0.21	
<b>DP</b>	Class CW-PG40	
<b>CR</b>	54	
<b>STC</b>	38	
<b>Specification</b>	5mm/5mm/5mm	27mm. IGO
	0.197"/0.197"/0.197"	1.06". IGO
<b>Triple glass</b>		

<b>U-Factor</b>	0.38	
<b>SHGC</b>	0.31	
<b>VT</b>	0.34	
<b>DP</b>	Class CW-PG40	
<b>CR</b>	46	
<b>STC</b>	32	
<b>Specification</b>	5mm/5mm	25mm. IGO
	0.197"/0.197"	0.984". IGO
<b>Double glass</b>		

# GLASS HOUSE

200



## PRODUCT CONFIGURATION

Frame Material: 6063-T6 Aluminium

Alu-Thickness: 3.0mm & 4.0mm

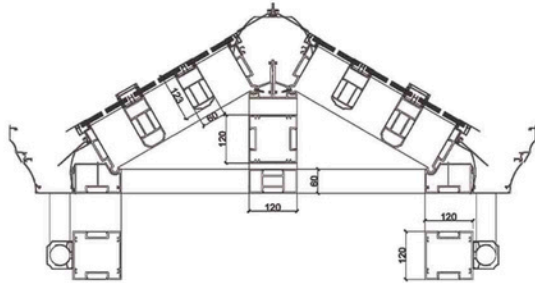
Glass Type: Tempered glass, single or double

Glass Thickness: 5mm, 6mm, 8mm & 10mm

Accessories: Included

Color: Ral powder coat or anodized

Sun room adopts a non-traditional building constructed with glass and metal frames to achieve the purpose of enjoying the sun and being close to nature. Sunshine room is a building respected by people in pursuit of nature and fashion at home and abroad.



Accessories:



# GLASS LOUVRE WINDOW

50



AVORA DOORS

## PRODUCT CONFIGURATION

Frame Material: 6063-T6 Aluminium

Alu-Thickness: 2.0mm

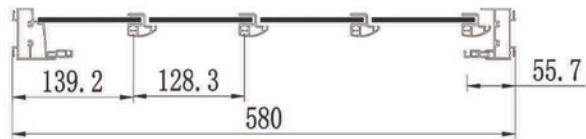
Glass Type: Tempered glass, single or double

Glass Thickness: 5mm, 6mm, 8mm & 10mm

Accessories: Included

Color: Ral powder coat or anodized

Glass louvre window have the advantages of large ventilation area and convenient cleaning. The appropriate opening angle of the louvre prevents the interior of the building from being affected by strong outdoor winds and maintains proper ventilation at all times. At the same time, it is highly decorative, and the glass blades can be selected in a variety of colors or processing techniques.



Accessories:



# ALUMINUM PROFILE COLOR



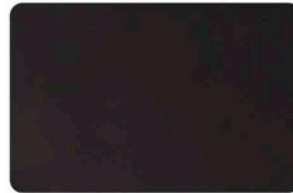
You can choose your favorite color from it



black



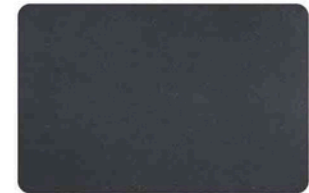
Sand black



Brownish black



Grayish brown



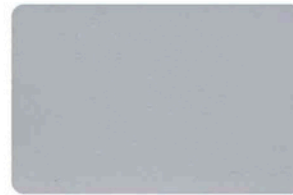
Sand lime



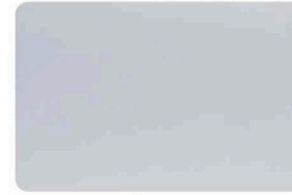
Melanite



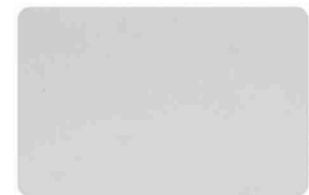
Yuhua stone



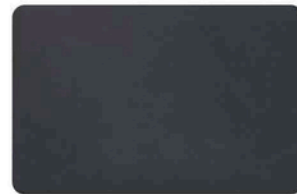
Silver grey



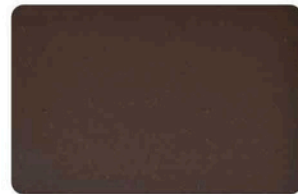
Highlighter white



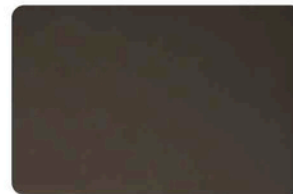
Matte white



Matte grey



Sand coffee



Antique brown

## TINTED GLASS

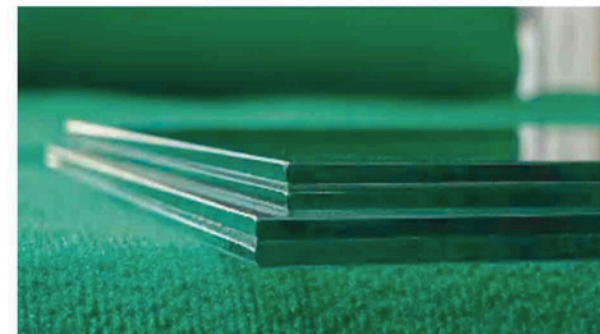


Tinted glazings retain their transparency from the inside, although the brightness of the outward view is reduced and the color is changed. The most common colors are neutral gray, bronze, and blue-green, which do not greatly alter the perceived color of the view and tend to blend well with other architectural colors.



## LAMINATED GLASS

Laminated glass consists of a tough plastic interlayer made of polyvinyl butyral (PVB) bonded between two panes of glass under heat and pressure. Once sealed, the glass sandwich behaves as a single unit and looks like normal glass. Laminated glass provides durability, high-performance, and multifunctional benefits while preserving aesthetic appearance.



## TEMPERED GLASS

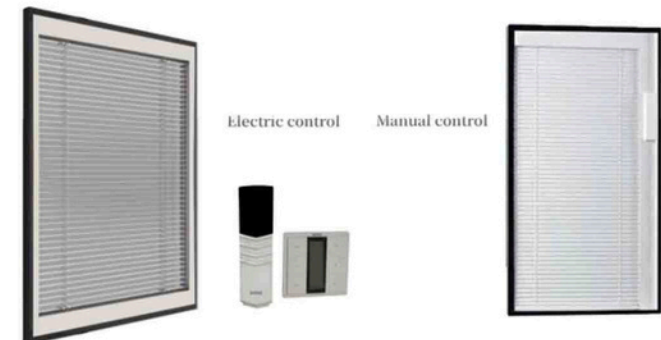


Tempered or toughened glass is a type of safety glass processed by controlled thermal or chemical treatments to increase its strength compared with normal glass. Tempering puts the outer surfaces into compression and the inner surfaces into tension. Such stresses causes the glass, when broken, to crumble into small granular chunks instead of splintering into jagged shards as plate glass (aka: annealed glass) creates. The granular chunks are less likely to cause injury.



## BUILT IN BLINDS

Insulating glass built-in shutter doors and windows are composed of double-layer tempered glass and shutters. The curtains built into the double glass can be controlled manually by a magnetic device or remotely controlled by a built-in motor. The light entering the room can be controlled by adjusting the angle of the venetian blinds. There is no doubt that louver doors and windows are ideal products to solve the problem of shading. Insulating glass built-in shutter doors and windows not only save space, but also have heat preservation and noise prevention functions, and at the same time give buildings and interiors a novel vision. Regardless of summer or winter, as long as you adjust the angle of the shutters, you can achieve shading or lighting effects, which greatly reduces the energy consumption of air conditioner



# INSULATED DOUBLE GLAZING



## BENEFITS:

### Energy cost savings

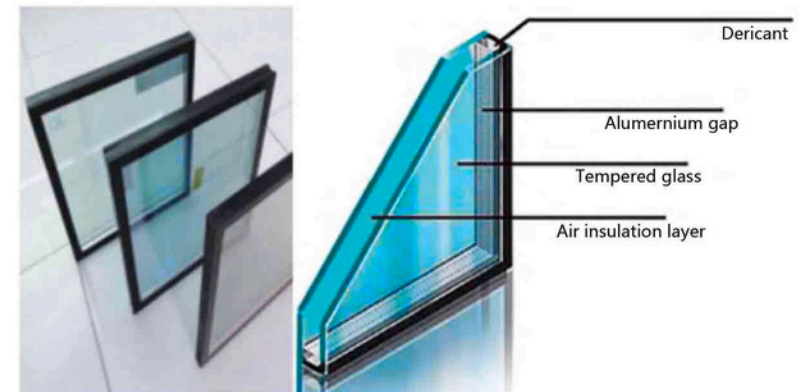
The airtight construction of double glazed windows creates thermal insulation. This reduces the flow of incoming and outgoing heat. Less energy is used to heat up or cool down the space, resulting in lower energy bills.

### Limited condensation

Moisture on a warm surface forms droplets of water, which freezes into frost. This can make the room feel colder, which forces the people inside to adjust the heat. The air between the two panes of glass, plus the airtight seal, prevents condensation from building up by blocking moisture in cold weather.

### Sound insulation

Double glazed windows improve sound insulation by creating a barrier between the home and the environment outside.



## SAFTEY:

### Tougher to break

Double glazed windows are tougher to break than single pane windows, so they increase the security of the home. Because they're sealed tighter than other windows, it is also difficult to force them open from the outside.

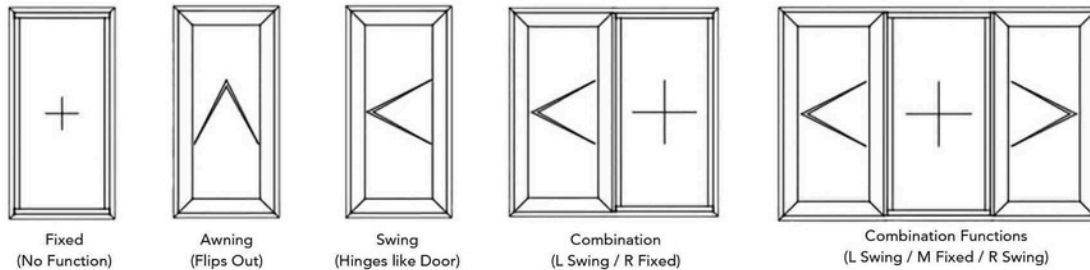
### Reduce damage to furnishings

Double glazed windows can reduce the amount of sun and heat entering the room. This can help reduce sun damage to your paintings, furniture, carpet, and other objects around the home.

# WINDOW CONFIGURATIONS



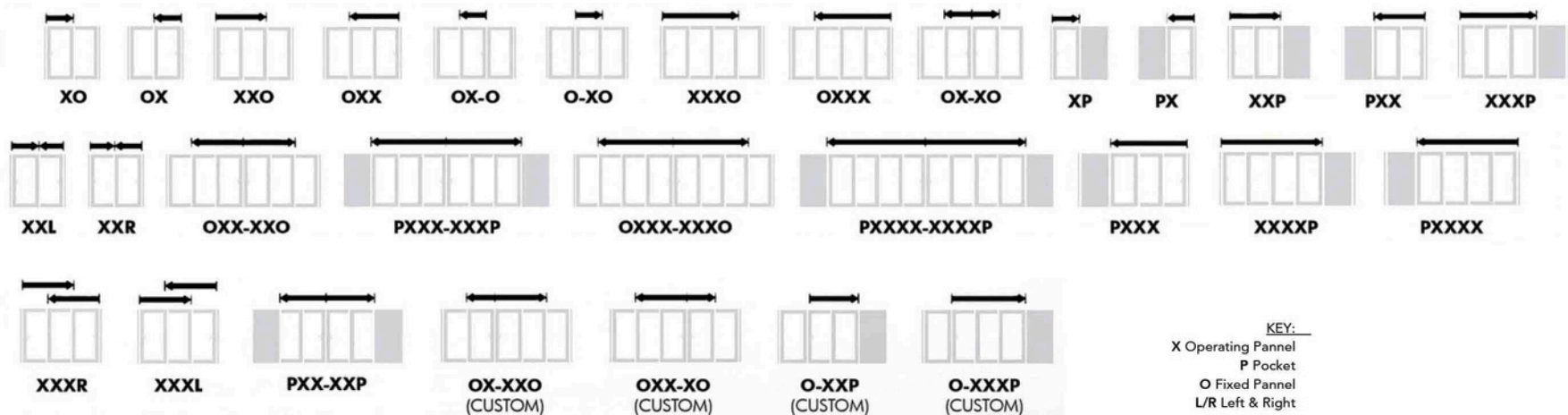
Your windows can comprise of any number of panels and can be made up of any type of opener (left, right, or top), dummy sash or fixed frame. To make the decision slightly easier and for a bit of guidance, we have displayed some of the most popular configurations we manufacture.



**KEY:**  
 + Fixed Frame or Dummy Sash  
 ^ Top Hinge  
 < Left Hinge  
 > Right Hinge

# SLIDER CONFIGURATIONS

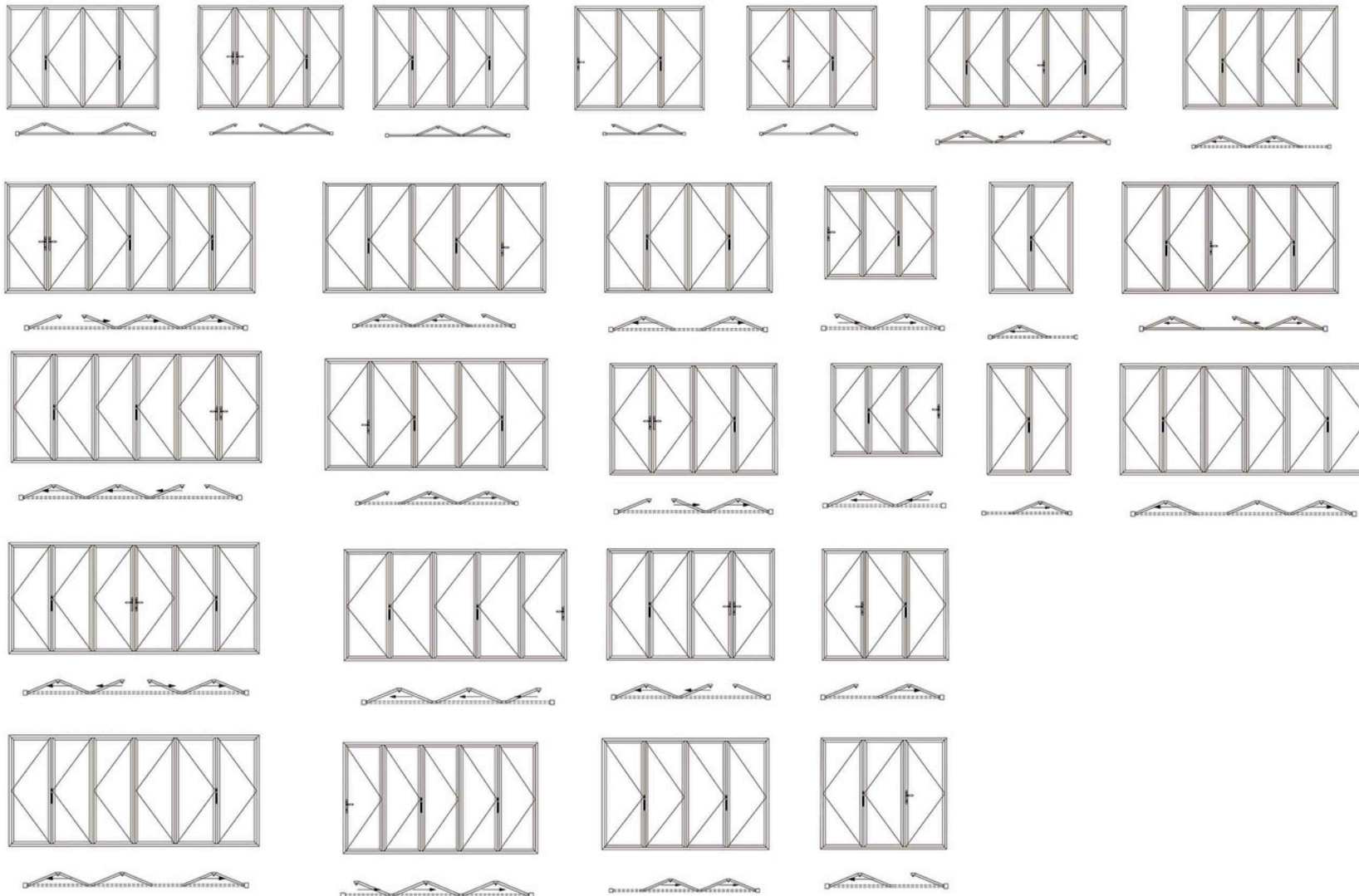
Your slider can comprise of any number of panels and can be made up of the following:



# FOLDED CONFIGURATIONS



Your bifolding can comprise of any number of panels and can be made up of the following:



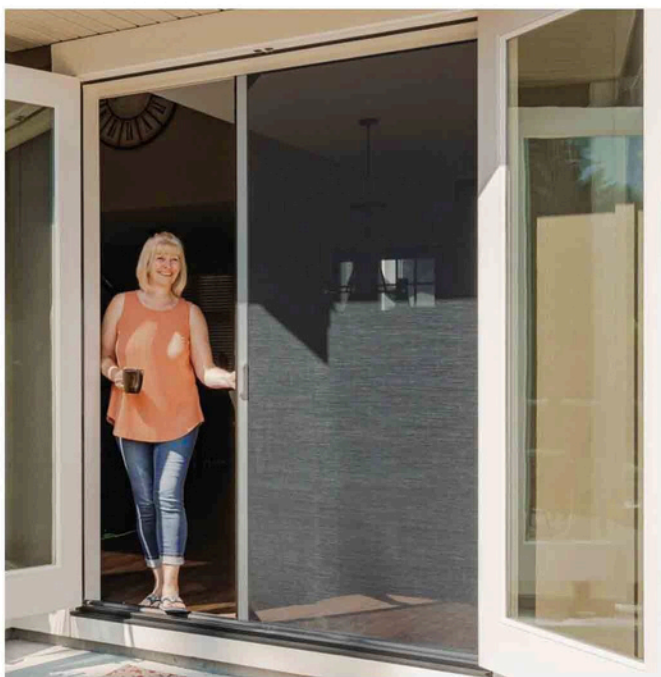
# RETRACTABLE SCREEN DOOR



## BENEFITS:

Keep pests and bugs away See-through mesh design allows you to enjoy your view Facilitate better airflow and cross ventilation in the house Keep the house cool, reducing the usage of cooling devices Offer the versatility of installation on single, double, and sliding doors

Magnet-based doors allow easy passage even when hands are full



Double


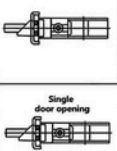
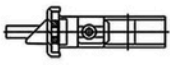







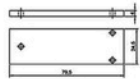
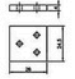


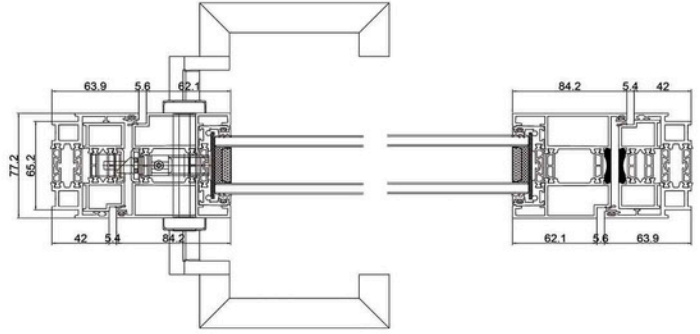
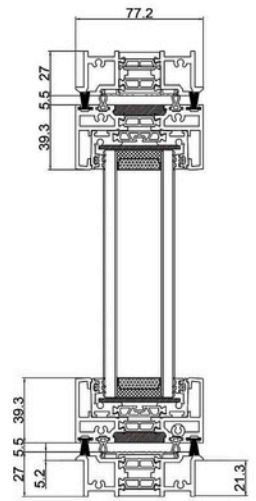
Single



# PIVOT DOOR

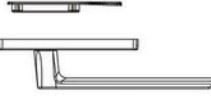




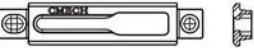



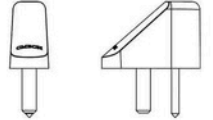







## DATA SHEET

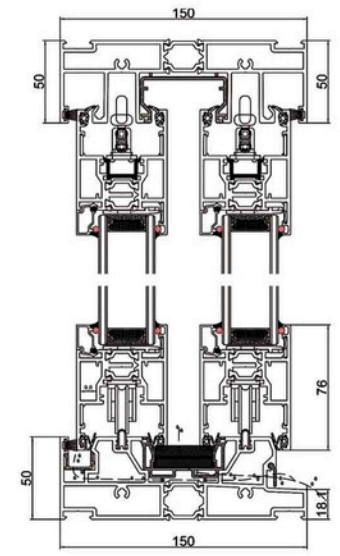
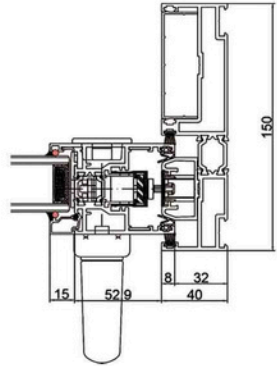
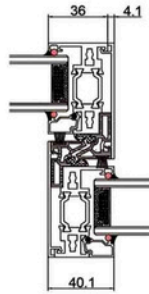
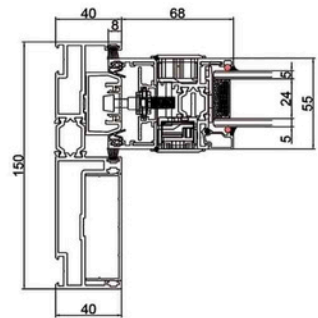
 <p>290.110.FN067D-L 45° Door handle (left) 290.110.FN067D-R 45° Door handle (right) A set</p>	 <p>European standard GW mechanical 24*28004092 integral lock D-5G1L European standard GW 24*2800 connected track without central control D-5G1L-F</p> <table border="1"> <tr> <td>Primary color</td> <td>4092 Main lock</td> </tr> <tr> <td>Secondary color</td> <td>Secondary lock</td> </tr> </table> <p>Single door opening</p> <table border="1"> <tr> <td>RNL586502L</td> <td>Door panel (left)</td> <td>one</td> <td>FUHR</td> </tr> <tr> <td>RNL586502R</td> <td>Door panel (right)</td> <td>one</td> <td>FUHR</td> </tr> <tr> <td>MX402FP8NJ</td> <td>Multi lock system</td> <td>one</td> <td></td> </tr> </table>	Primary color	4092 Main lock	Secondary color	Secondary lock	RNL586502L	Door panel (left)	one	FUHR	RNL586502R	Door panel (right)	one	FUHR	MX402FP8NJ	Multi lock system	one		 <table border="1"> <tr> <td>D3392 Main lock (Machinery) /Specification: 24*6*2400mm</td> <td>Primary color</td> <td>Main lock</td> </tr> <tr> <td>F5 Secondary lock No central control /Specification: 24*6*2400mm</td> <td>Primary color</td> <td>Secondary lock</td> </tr> </table>	D3392 Main lock (Machinery) /Specification: 24*6*2400mm	Primary color	Main lock	F5 Secondary lock No central control /Specification: 24*6*2400mm	Primary color	Secondary lock	 <table border="1"> <tr> <td>RFZ83329</td> <td>Magnetic sensor</td> <td>two</td> <td>FUHR</td> </tr> </table>	RFZ83329	Magnetic sensor	two	FUHR	 <table border="1"> <tr> <td>50-50</td> <td>Double sided opening</td> <td>Silver</td> <td>one</td> <td>Lock core</td> </tr> </table>	50-50	Double sided opening	Silver	one	Lock core
Primary color	4092 Main lock																																		
Secondary color	Secondary lock																																		
RNL586502L	Door panel (left)	one	FUHR																																
RNL586502R	Door panel (right)	one	FUHR																																
MX402FP8NJ	Multi lock system	one																																	
D3392 Main lock (Machinery) /Specification: 24*6*2400mm	Primary color	Main lock																																	
F5 Secondary lock No central control /Specification: 24*6*2400mm	Primary color	Secondary lock																																	
RFZ83329	Magnetic sensor	two	FUHR																																
50-50	Double sided opening	Silver	one	Lock core																															
 <table border="1"> <tr> <td>Primary color</td> <td>Bidirectional pivot door hinge 7475AX</td> </tr> </table>	Primary color	Bidirectional pivot door hinge 7475AX	 <table border="1"> <tr> <td>NF80-F01</td> <td>Primary color</td> <td>Wide fan shaped dog</td> </tr> </table>	NF80-F01	Primary color	Wide fan shaped dog	 <table border="1"> <tr> <td>NF80-F03</td> <td>Black</td> <td>Nylon gasket</td> </tr> </table>	NF80-F03	Black	Nylon gasket	 <table border="1"> <tr> <td>NF80-F04</td> <td>Primary color</td> <td>Round plate</td> </tr> </table>	NF80-F04	Primary color	Round plate	 <table border="1"> <tr> <td>NF80-F05</td> <td>Primary color</td> <td>Square plate</td> </tr> </table>	NF80-F05	Primary color	Square plate																	
Primary color	Bidirectional pivot door hinge 7475AX																																		
NF80-F01	Primary color	Wide fan shaped dog																																	
NF80-F03	Black	Nylon gasket																																	
NF80-F04	Primary color	Round plate																																	
NF80-F05	Primary color	Square plate																																	
 <table border="1"> <tr> <td>NF80-F06</td> <td>Aluminum color</td> <td>Ground area fixing block</td> </tr> </table>	NF80-F06	Aluminum color	Ground area fixing block	 <table border="1"> <tr> <td>NF80-F07</td> <td>Aluminum color</td> <td>upper shaft fixing block</td> </tr> </table>	NF80-F07	Aluminum color	upper shaft fixing block																												
NF80-F06	Aluminum color	Ground area fixing block																																	
NF80-F07	Aluminum color	upper shaft fixing block																																	



# SERIES THERMAL BREAK LIFT SLIDING DOOR

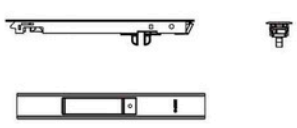
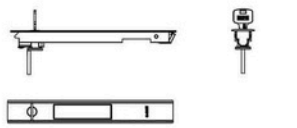
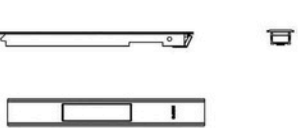
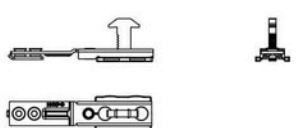

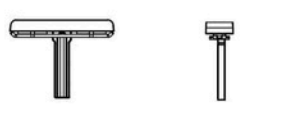
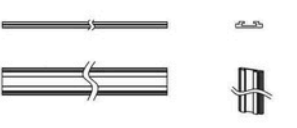
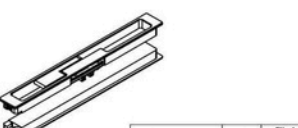
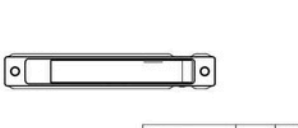
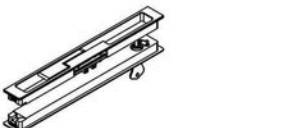


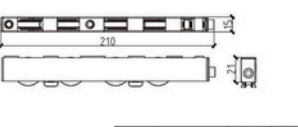
**150**  
DATA SHEET

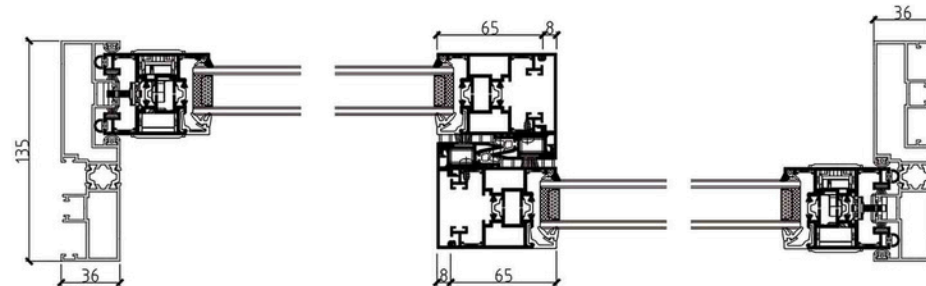
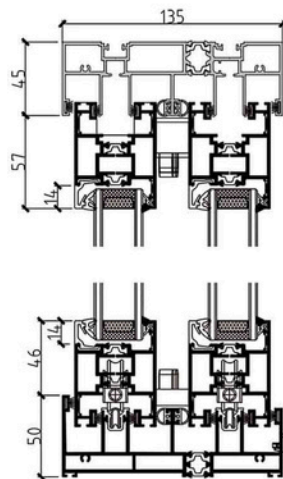
 <table border="1"> <tr> <td>F80034-01</td> <td>Silver</td> <td rowspan="3">Inner door handle + hidden handle</td> </tr> <tr> <td>F80034-10</td> <td>Black</td> </tr> <tr> <td>F80034-09</td> <td>White</td> </tr> </table>	F80034-01	Silver	Inner door handle + hidden handle	F80034-10	Black	F80034-09	White	 <table border="1"> <tr> <td>E010034-01</td> <td>Silver</td> <td rowspan="3">Larger, double sided hidden buckle, key</td> </tr> <tr> <td>E010034-10</td> <td>Black</td> </tr> <tr> <td>E010034-09</td> <td>White</td> </tr> </table>	E010034-01	Silver	Larger, double sided hidden buckle, key	E010034-10	Black	E010034-09	White	 <table border="1"> <tr> <td>E010032-01</td> <td>Silver</td> <td rowspan="3">Larger, movable hidden buckle</td> </tr> <tr> <td>E010032-10</td> <td>Black</td> </tr> <tr> <td>E010032-09</td> <td>White</td> </tr> </table>	E010032-01	Silver	Larger, movable hidden buckle	E010032-10	Black	E010032-09	White	 <table border="1"> <tr> <td>E010033-01</td> <td>Silver</td> <td rowspan="3">Larger, fixed hidden buckle</td> </tr> <tr> <td>E010033-10</td> <td>Black</td> </tr> <tr> <td>E010033-09</td> <td>White</td> </tr> </table>	E010033-01	Silver	Larger, fixed hidden buckle	E010033-10	Black	E010033-09	White	 <table border="1"> <tr> <td>E090011</td> <td>Primary color</td> <td>High and low adjustable lock</td> </tr> <tr> <td>A020117</td> <td>Primary color</td> <td>Intermediate drive 22.5mm</td> </tr> </table>	E090011	Primary color	High and low adjustable lock	A020117	Primary color	Intermediate drive 22.5mm
F80034-01	Silver	Inner door handle + hidden handle																																				
F80034-10	Black																																					
F80034-09	White																																					
E010034-01	Silver	Larger, double sided hidden buckle, key																																				
E010034-10	Black																																					
E010034-09	White																																					
E010032-01	Silver	Larger, movable hidden buckle																																				
E010032-10	Black																																					
E010032-09	White																																					
E010033-01	Silver	Larger, fixed hidden buckle																																				
E010033-10	Black																																					
E010033-09	White																																					
E090011	Primary color	High and low adjustable lock																																				
A020117	Primary color	Intermediate drive 22.5mm																																				
 <table border="1"> <tr> <td>F100012</td> <td>Primary color</td> <td>Lock seat</td> </tr> </table>	F100012	Primary color	Lock seat	 <table border="1"> <tr> <td>F020006</td> <td>length 1350mm</td> <td>Primary color</td> <td rowspan="3">Pulley connecting rod</td> </tr> <tr> <td>F020006</td> <td>length 1850mm</td> <td>Primary color</td> </tr> <tr> <td>F020007</td> <td>length 2650mm</td> <td>Primary color</td> </tr> </table>	F020006	length 1350mm	Primary color	Pulley connecting rod	F020006	length 1850mm	Primary color	F020007	length 2650mm	Primary color	 <table border="1"> <tr> <td>F020021</td> <td>length 2300mm</td> <td>200KG</td> <td rowspan="3">Medium narrow lift push and pull transmission</td> </tr> <tr> <td>F020022</td> <td>length 2600mm</td> <td>200KG</td> </tr> <tr> <td></td> <td></td> <td></td> </tr> </table>	F020021	length 2300mm	200KG	Medium narrow lift push and pull transmission	F020022	length 2600mm	200KG				 <table border="1"> <tr> <td>F050006</td> <td>200KG</td> <td>Primary color</td> <td>Medium narrow lift push and pull 200kg front and rear pulleys</td> </tr> </table>	F050006	200KG	Primary color	Medium narrow lift push and pull 200kg front and rear pulleys	 <table border="1"> <tr> <td>F080001</td> <td>Black</td> <td>Anti collision device</td> </tr> </table>	F080001	Black	Anti collision device				
F100012	Primary color	Lock seat																																				
F020006	length 1350mm	Primary color	Pulley connecting rod																																			
F020006	length 1850mm	Primary color																																				
F020007	length 2650mm	Primary color																																				
F020021	length 2300mm	200KG	Medium narrow lift push and pull transmission																																			
F020022	length 2600mm	200KG																																				
F050006	200KG	Primary color	Medium narrow lift push and pull 200kg front and rear pulleys																																			
F080001	Black	Anti collision device																																				
 <table border="1"> <tr> <td>F110014</td> <td>Primary color</td> <td>Spacers and screws</td> </tr> </table>	F110014	Primary color	Spacers and screws	 <table border="1"> <tr> <td>F110015</td> <td>Black</td> <td>Rest spacers</td> </tr> </table>	F110015	Black	Rest spacers	 <table border="1"> <tr> <td>F110024</td> <td>10x10x55 mm four-square axis</td> <td>Primary color</td> <td>Door handle four-square axis</td> </tr> </table>	F110024	10x10x55 mm four-square axis	Primary color	Door handle four-square axis	 <table border="1"> <tr> <td>F110038</td> <td>06x35</td> <td>Primary color</td> <td>Door handle square shaft screw</td> </tr> </table>	F110038	06x35	Primary color	Door handle square shaft screw	 <table border="1"> <tr> <td>F140021</td> <td>Primary color</td> <td>Medium narrow lift sliding door pulley gasket 6mm</td> </tr> </table>	F140021	Primary color	Medium narrow lift sliding door pulley gasket 6mm																	
F110014	Primary color	Spacers and screws																																				
F110015	Black	Rest spacers																																				
F110024	10x10x55 mm four-square axis	Primary color	Door handle four-square axis																																			
F110038	06x35	Primary color	Door handle square shaft screw																																			
F140021	Primary color	Medium narrow lift sliding door pulley gasket 6mm																																				
 <table border="1"> <tr> <td>17.5/27</td> <td>Four wheels</td> <td>Primary color</td> <td>Pulley below</td> </tr> </table>	17.5/27	Four wheels	Primary color	Pulley below	 <table border="1"> <tr> <td>CJ212634B</td> <td>Primary color</td> <td>Anti theft pulley on top</td> </tr> </table>	CJ212634B	Primary color	Anti theft pulley on top																														
17.5/27	Four wheels	Primary color	Pulley below																																			
CJ212634B	Primary color	Anti theft pulley on top																																				











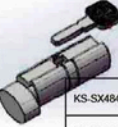


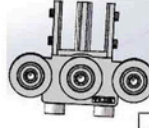
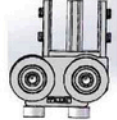

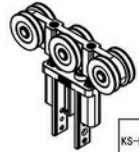












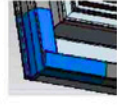
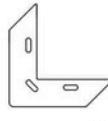

# SERIES HEAVY DUTY SLIDING DOOR

**135**  
DATA SHEET

 <p>MAL12.30.011HS Silver MAL12.30.065HS Black</p> <p>A one-line style lock</p>	 <p>MBH12.20.011HS Silver MBH12.20.065HS Black</p> <p>Door handle/With lock</p>	 <p>MBH12.10.011HS Silver MBH12.10.065HS Black</p> <p>Door handle/Without lock</p>	 <p>LPE47.00.17C38HS Silver</p> <p>Lock rod</p>	 <p>SLP45.00.38HS Silver</p> <p>Lock seat</p>
 <p>TTC53.15.38H2 Silver</p> <p>T-shaped parts</p>	 <p>H.1909.20.10C019 Silver</p> <p>Transmission rod</p>	 <p>MTW08-H Black MTW08-B white</p> <p>Flip lock/buckle hand</p>	 <p>MTW09-H Black MTW09-B white</p> <p>Pocket handle lock</p>	 <p>MTW08A-H Black MTW08A-B white</p> <p>Flip lock + buckle hand (With keys)</p>
 <p>20677 Silver</p> <p>Upper pulley</p>	 <p>15/10/226 Four wheels 627 Steel</p> <p>Primary color Steel lower pulley</p>	 <p>210 21 3-8</p> <p>15*21*246 Four wheels Primary color Steel lower pulley</p>		



# SERIES THERMAL BREAK FOLDING DOOR

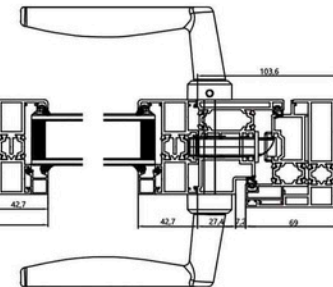
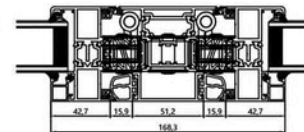
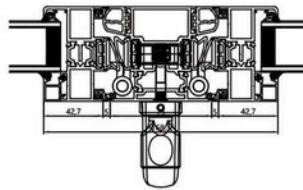
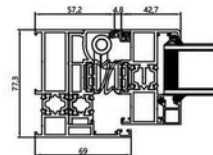
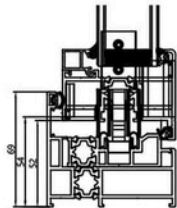
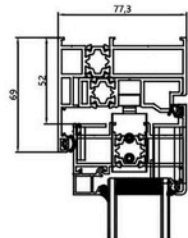
 <table border="1"> <tr> <td>KS-Z50002PL-02</td> <td>Silver</td> <td rowspan="3">Door hinges</td> </tr> <tr> <td>KS-Z50002PL-03</td> <td>Black</td> </tr> <tr> <td>KS-Z50002PL-04</td> <td>White</td> </tr> </table>	KS-Z50002PL-02	Silver	Door hinges	KS-Z50002PL-03	Black	KS-Z50002PL-04	White	 <table border="1"> <tr> <td>KS-Z50005YL-02</td> <td>Silver</td> <td rowspan="3">Fake door hinges</td> </tr> <tr> <td>KS-Z50005YL-03</td> <td>Black</td> </tr> <tr> <td>KS-Z50005YL-04</td> <td>White</td> </tr> </table>	KS-Z50005YL-02	Silver	Fake door hinges	KS-Z50005YL-03	Black	KS-Z50005YL-04	White	 <table border="1"> <tr> <td>KS-ST0035HB-32</td> <td>Primary color</td> <td>35°92 Door lock</td> </tr> </table>	KS-ST0035HB-32	Primary color	35°92 Door lock	 <table border="1"> <tr> <td>KS-LS0004LL-02</td> <td>Silver</td> <td rowspan="3">Aluminum handle</td> </tr> <tr> <td>KS-LS0004LL-03</td> <td>Black</td> </tr> <tr> <td>KS-LS0004LL-04</td> <td>White</td> </tr> </table>	KS-LS0004LL-02	Silver	Aluminum handle	KS-LS0004LL-03	Black	KS-LS0004LL-04	White	 <table border="1"> <tr> <td>KS-XN0002AL-02</td> <td>Silver</td> <td rowspan="3">Aluminum knob handle</td> </tr> <tr> <td>KS-XN0002AL-03</td> <td>Black</td> </tr> <tr> <td>KS-XN0002AL-04</td> <td>White</td> </tr> </table>	KS-XN0002AL-02	Silver	Aluminum knob handle	KS-XN0002AL-03	Black	KS-XN0002AL-04	White
KS-Z50002PL-02	Silver	Door hinges																																	
KS-Z50002PL-03	Black																																		
KS-Z50002PL-04	White																																		
KS-Z50005YL-02	Silver	Fake door hinges																																	
KS-Z50005YL-03	Black																																		
KS-Z50005YL-04	White																																		
KS-ST0035HB-32	Primary color	35°92 Door lock																																	
KS-LS0004LL-02	Silver	Aluminum handle																																	
KS-LS0004LL-03	Black																																		
KS-LS0004LL-04	White																																		
KS-XN0002AL-02	Silver	Aluminum knob handle																																	
KS-XN0002AL-03	Black																																		
KS-XN0002AL-04	White																																		
 <table border="1"> <tr> <td>KS-CD0145BX-62</td> <td>Primary color</td> <td>T.E.S. Bidirectional actuator (B)</td> </tr> </table>	KS-CD0145BX-62	Primary color	T.E.S. Bidirectional actuator (B)	 <table border="1"> <tr> <td>KS-CX0080DS-50</td> <td>Primary color</td> <td>80 folding door upper and lower pulley 13°148</td> </tr> </table>	KS-CX0080DS-50	Primary color	80 folding door upper and lower pulley 13°148	 <table border="1"> <tr> <td>KS-CX0080ES-50</td> <td>Primary color</td> <td>80 folding door fixed connection column M8</td> </tr> </table>	KS-CX0080ES-50	Primary color	80 folding door fixed connection column M8	 <table border="1"> <tr> <td>KS-SX4848RT-38</td> <td>Primary color</td> <td rowspan="2">95 nickel brushed lock core (48/48Single opening opening)</td> </tr> <tr> <td>KS-SX4848RT-03</td> <td>Black</td> </tr> </table>	KS-SX4848RT-38	Primary color	95 nickel brushed lock core (48/48Single opening opening)	KS-SX4848RT-03	Black	 <table border="1"> <tr> <td>KS-HY0068GL-02</td> <td>Silver</td> <td rowspan="2">68 Folding door hinges G</td> </tr> <tr> <td>KS-HY0068GL-03</td> <td>Black</td> </tr> </table>	KS-HY0068GL-02	Silver	68 Folding door hinges G	KS-HY0068GL-03	Black												
KS-CD0145BX-62	Primary color	T.E.S. Bidirectional actuator (B)																																	
KS-CX0080DS-50	Primary color	80 folding door upper and lower pulley 13°148																																	
KS-CX0080ES-50	Primary color	80 folding door fixed connection column M8																																	
KS-SX4848RT-38	Primary color	95 nickel brushed lock core (48/48Single opening opening)																																	
KS-SX4848RT-03	Black																																		
KS-HY0068GL-02	Silver	68 Folding door hinges G																																	
KS-HY0068GL-03	Black																																		
 <table border="1"> <tr> <td>KS-HL0042SX-63</td> <td>Primary color</td> <td>Upper pulley</td> </tr> </table>	KS-HL0042SX-63	Primary color	Upper pulley	 <table border="1"> <tr> <td>KS-HL0043XX-63</td> <td>Primary color</td> <td>Lower load bearing pulley set 3+1</td> </tr> </table>	KS-HL0043XX-63	Primary color	Lower load bearing pulley set 3+1	 <table border="1"> <tr> <td>KS-HL0044HX-63</td> <td>Primary color</td> <td>Lower pulley 2+2</td> </tr> </table>	KS-HL0044HX-63	Primary color	Lower pulley 2+2	 <table border="1"> <tr> <td>KS-PK0002PL-02</td> <td>Silver</td> <td rowspan="2">Bump button</td> </tr> <tr> <td>KS-PK0002PL-03</td> <td>Black</td> </tr> </table>	KS-PK0002PL-02	Silver	Bump button	KS-PK0002PL-03	Black	 <table border="1"> <tr> <td>KS-HL0268AX-62</td> <td>Primary color</td> <td>Pulley block on the suspended rail 3+1</td> </tr> </table>	KS-HL0268AX-62	Primary color	Pulley block on the suspended rail 3+1														
KS-HL0042SX-63	Primary color	Upper pulley																																	
KS-HL0043XX-63	Primary color	Lower load bearing pulley set 3+1																																	
KS-HL0044HX-63	Primary color	Lower pulley 2+2																																	
KS-PK0002PL-02	Silver	Bump button																																	
KS-PK0002PL-03	Black																																		
KS-HL0268AX-62	Primary color	Pulley block on the suspended rail 3+1																																	
 <table border="1"> <tr> <td>KS-HL0268LX-62</td> <td>Primary color</td> <td>68PRO Upper pulley 2+2(L)</td> </tr> </table>	KS-HL0268LX-62	Primary color	68PRO Upper pulley 2+2(L)	 <table border="1"> <tr> <td>KS-HL0268RX-62</td> <td>Primary color</td> <td>68PRO Upper pulley 2+2(R)</td> </tr> </table>	KS-HL0268RX-62	Primary color	68PRO Upper pulley 2+2(R)	 <table border="1"> <tr> <td>JT-68ZD001</td> <td>Black</td> <td>Central column/border/vertical auxiliary frame rubber strip</td> </tr> <tr> <td>JT-68ZD001-B</td> <td>White</td> <td>Central column/border/vertical auxiliary frame rubber strip</td> </tr> </table>	JT-68ZD001	Black	Central column/border/vertical auxiliary frame rubber strip	JT-68ZD001-B	White	Central column/border/vertical auxiliary frame rubber strip	 <table border="1"> <tr> <td>JT-68ZD002</td> <td>Black</td> <td>Central column rubber strip</td> </tr> <tr> <td>JT-68ZD002-B</td> <td>White</td> <td>Central column rubber strip</td> </tr> </table>	JT-68ZD002	Black	Central column rubber strip	JT-68ZD002-B	White	Central column rubber strip	 <table border="1"> <tr> <td>JT-68ZD003</td> <td>Black</td> <td>Fan the vertical rubber strip</td> </tr> <tr> <td>JT-68ZD003-B</td> <td>White</td> <td>Fan the vertical rubber strip</td> </tr> </table>	JT-68ZD003	Black	Fan the vertical rubber strip	JT-68ZD003-B	White	Fan the vertical rubber strip							
KS-HL0268LX-62	Primary color	68PRO Upper pulley 2+2(L)																																	
KS-HL0268RX-62	Primary color	68PRO Upper pulley 2+2(R)																																	
JT-68ZD001	Black	Central column/border/vertical auxiliary frame rubber strip																																	
JT-68ZD001-B	White	Central column/border/vertical auxiliary frame rubber strip																																	
JT-68ZD002	Black	Central column rubber strip																																	
JT-68ZD002-B	White	Central column rubber strip																																	
JT-68ZD003	Black	Fan the vertical rubber strip																																	
JT-68ZD003-B	White	Fan the vertical rubber strip																																	
 <table border="1"> <tr> <td>JT-68ZD004</td> <td>Black</td> <td>Frame rubber strip</td> </tr> </table>	JT-68ZD004	Black	Frame rubber strip	 <table border="1"> <tr> <td>JT-68ZD005</td> <td>Black</td> <td>Central column rubber strip</td> </tr> <tr> <td>JT-68ZD005-B</td> <td>White</td> <td>Central column rubber strip</td> </tr> </table>	JT-68ZD005	Black	Central column rubber strip	JT-68ZD005-B	White	Central column rubber strip	 <table border="1"> <tr> <td>JT-68ZD006</td> <td>Black</td> <td>Double sided rubber strip</td> </tr> <tr> <td>JT-68ZD006-B</td> <td>White</td> <td>Double sided rubber strip</td> </tr> </table>	JT-68ZD006	Black	Double sided rubber strip	JT-68ZD006-B	White	Double sided rubber strip	 <table border="1"> <tr> <td>JT-68ZD007</td> <td>Black</td> <td>Vertical auxiliary frame rubber strip</td> </tr> </table>	JT-68ZD007	Black	Vertical auxiliary frame rubber strip	 <table border="1"> <tr> <td>G/JTL0120</td> <td>Black</td> <td>Semi central column rubber strip</td> </tr> </table>	G/JTL0120	Black	Semi central column rubber strip										
JT-68ZD004	Black	Frame rubber strip																																	
JT-68ZD005	Black	Central column rubber strip																																	
JT-68ZD005-B	White	Central column rubber strip																																	
JT-68ZD006	Black	Double sided rubber strip																																	
JT-68ZD006-B	White	Double sided rubber strip																																	
JT-68ZD007	Black	Vertical auxiliary frame rubber strip																																	
G/JTL0120	Black	Semi central column rubber strip																																	
 <table border="1"> <tr> <td>9349A</td> <td>Black</td> <td>Outside the glass rubber strip</td> </tr> </table>	9349A	Black	Outside the glass rubber strip	 <table border="1"> <tr> <td>FSTS-001</td> <td>Black</td> <td>Horizontal fan rubber strip</td> </tr> </table>	FSTS-001	Black	Horizontal fan rubber strip	 <table border="1"> <tr> <td>JZ68023L/JZ68023R</td> <td>Black</td> <td>Corner Rubber</td> </tr> <tr> <td>JZ68023L-B/JZ68023R-B</td> <td>White</td> <td>Corner Rubber</td> </tr> </table>	JZ68023L/JZ68023R	Black	Corner Rubber	JZ68023L-B/JZ68023R-B	White	Corner Rubber	 <table border="1"> <tr> <td>8.6*1.0*1.2</td> <td>Primary color</td> <td>Fan steel sheet</td> </tr> </table>	8.6*1.0*1.2	Primary color	Fan steel sheet	 <table border="1"> <tr> <td>16.8*1.0*1.2</td> <td>Primary color</td> <td>Frame steel sheet</td> </tr> </table>	16.8*1.0*1.2	Primary color	Frame steel sheet													
9349A	Black	Outside the glass rubber strip																																	
FSTS-001	Black	Horizontal fan rubber strip																																	
JZ68023L/JZ68023R	Black	Corner Rubber																																	
JZ68023L-B/JZ68023R-B	White	Corner Rubber																																	
8.6*1.0*1.2	Primary color	Fan steel sheet																																	
16.8*1.0*1.2	Primary color	Frame steel sheet																																	

# SERIES THERMAL BREAK FOLDING DOOR

68

DATA SHEET


		
14.3*41.7	14.3*12	14.3*20.6
Primary color	Primary color	Primary color
Frame corner code	Frame corner code	Fan corner code

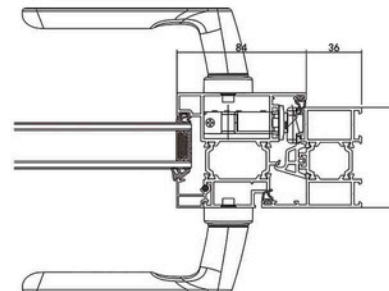
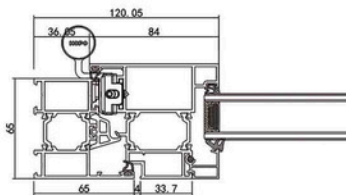
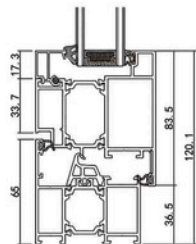
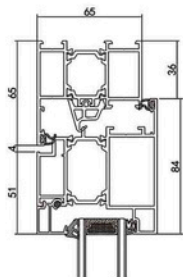


# SERIES THERMAL BREAK CASEMENT DOOR

65

DATA SHEET






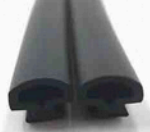
 <p>HSD605.012012HS Silver HSD605.168168HS Black</p> <p>605 door hinges</p>	 <p>HSD615.012012HS Silver HSD615.168168HS Black</p> <p>615 door hinges</p>	 <p>SDLK50.33.22CO25 HS</p> <p>92/95 Multi point door lock</p>	 <p>ALP10.00.021 Silver</p> <p>Lock seat</p>	 <p>ALPD50.07.38 Stainless steel</p> <p>Lock panel</p>
 <p>SDLK50.33.22CO2 SHS</p> <p>Primary color</p> <p>92/95 Multi point door lock</p>	 <p>ABHS1.00.011 Silver ABHS1.00.068HS Black</p> <p>Door hinges</p>	 <p>CGC20.00.012 Primary color</p> <p>Passive fan transmission shell</p>		

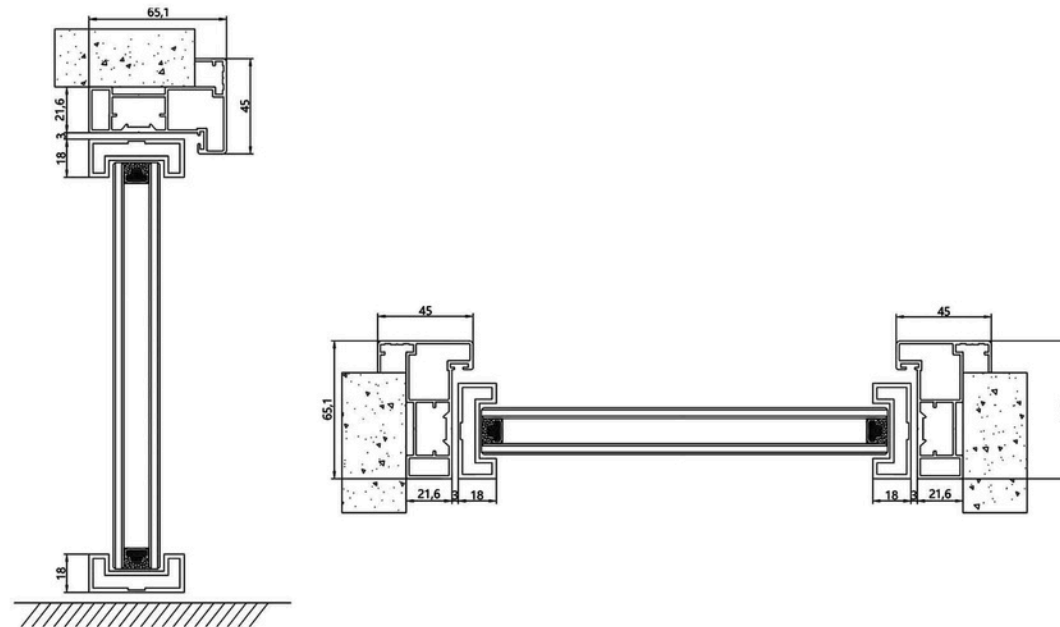


# SERIES SLIM FRAME CASEMENT DOOR

## 4518

DATA SHEET

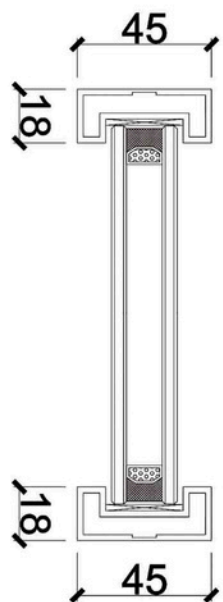
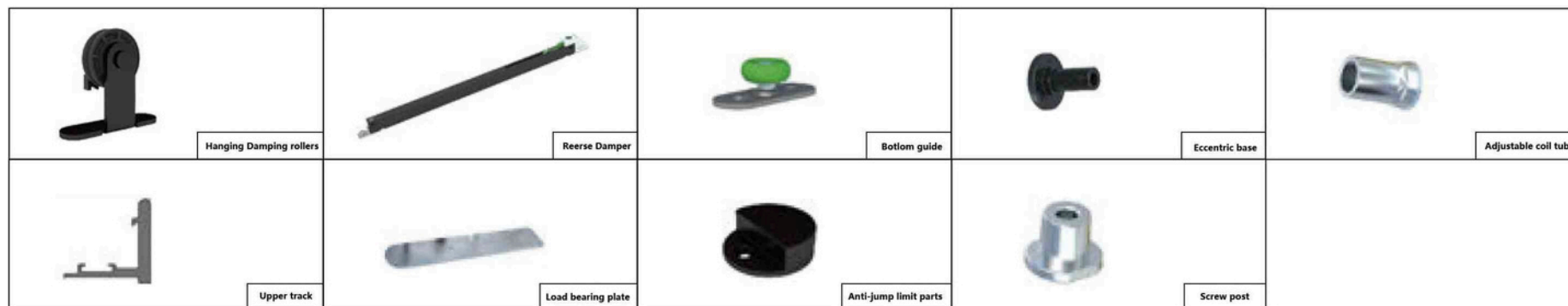
				
BL9935A-18 casement door lock	TDHY	7.8X23 custom made	窄上极3号角码	16.7x1.8
Black	Primary color	Primary color	Primary color	Primary color
Casement door lock	Upper and lower hinges	Frame corner code	Fan angle code	Frame steel sheet
				
F348	Primary color			
Border rubber strip				



# BARN DOOR

## 4518




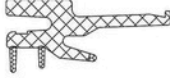






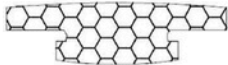
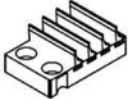
### DATA SHEET



# SERIES THERMAL BREAK SLIDING WINDOW

86

DATA SHEET

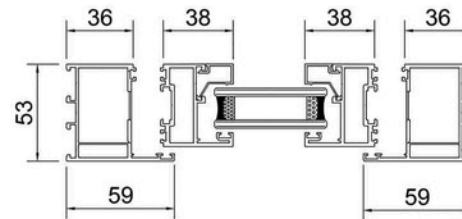
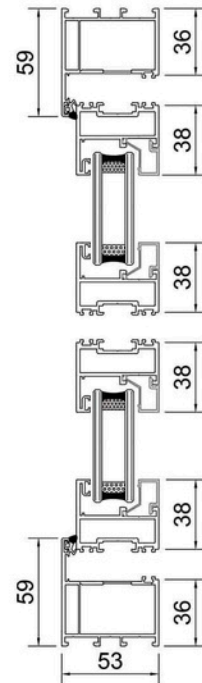
 <table border="1" data-bbox="300 438 517 507"> <tr> <td>E010030-01</td> <td>Silver</td> <td rowspan="3">Single point hidden door handle</td> </tr> <tr> <td>E010030-10</td> <td>black</td> </tr> <tr> <td>E010030-09</td> <td>white</td> </tr> </table>	E010030-01	Silver	Single point hidden door handle	E010030-10	black	E010030-09	white	 <table border="1" data-bbox="708 483 889 507"> <tr> <td>P110003</td> <td>Stainless steel</td> <td>29MM Long lock hook</td> </tr> </table>	P110003	Stainless steel	29MM Long lock hook	 <table border="1" data-bbox="1044 483 1251 507"> <tr> <td>P100006</td> <td>Stainless steel</td> <td>10V Lock seat</td> </tr> </table>	P100006	Stainless steel	10V Lock seat	 <table border="1" data-bbox="1378 483 1619 507"> <tr> <td>0120104</td> <td>Black</td> <td>Plastic parts with hooks</td> </tr> </table>	0120104	Black	Plastic parts with hooks	 <table border="1" data-bbox="1783 483 1991 507"> <tr> <td>0121304</td> <td>Black</td> <td>U-shaped groove</td> </tr> </table>	0121304	Black	U-shaped groove
E010030-01	Silver	Single point hidden door handle																					
E010030-10	black																						
E010030-09	white																						
P110003	Stainless steel	29MM Long lock hook																					
P100006	Stainless steel	10V Lock seat																					
0120104	Black	Plastic parts with hooks																					
0121304	Black	U-shaped groove																					
 <table border="1" data-bbox="272 678 517 702"> <tr> <td>0512704</td> <td>Black</td> <td>Nylon angular parts (upper part)</td> </tr> </table>	0512704	Black	Nylon angular parts (upper part)	 <table border="1" data-bbox="666 678 889 702"> <tr> <td>0512705</td> <td>Black</td> <td>Nylon angular parts (following part)</td> </tr> </table>	0512705	Black	Nylon angular parts (following part)	 <table border="1" data-bbox="1027 678 1251 702"> <tr> <td>XF-30 Drainage cover</td> <td>Black</td> <td>Drainage hole cover</td> </tr> </table>	XF-30 Drainage cover	Black	Drainage hole cover	 <table border="1" data-bbox="1400 678 1619 702"> <tr> <td>0551020</td> <td>Black</td> <td>ES86 Sash Horizontal Frame Cover</td> </tr> </table>	0551020	Black	ES86 Sash Horizontal Frame Cover	 <table border="1" data-bbox="1740 678 1991 702"> <tr> <td>0551022</td> <td>Black</td> <td>ES86 Sash Horizontal Frame Cover</td> </tr> </table>	0551022	Black	ES86 Sash Horizontal Frame Cover				
0512704	Black	Nylon angular parts (upper part)																					
0512705	Black	Nylon angular parts (following part)																					
XF-30 Drainage cover	Black	Drainage hole cover																					
0551020	Black	ES86 Sash Horizontal Frame Cover																					
0551022	Black	ES86 Sash Horizontal Frame Cover																					
 <table border="1" data-bbox="310 874 517 898"> <tr> <td>0551101</td> <td>Black</td> <td>ES86 Buffer gasket</td> </tr> </table>	0551101	Black	ES86 Buffer gasket	 <table border="1" data-bbox="644 874 889 898"> <tr> <td>0551108</td> <td>Black</td> <td>ES86 Anti theft Sealing Block (Combination)</td> </tr> </table>	0551108	Black	ES86 Anti theft Sealing Block (Combination)																
0551101	Black	ES86 Buffer gasket																					
0551108	Black	ES86 Anti theft Sealing Block (Combination)																					



# SERIES FOLD UP WINDOW


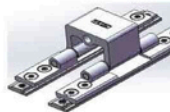
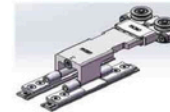
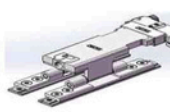


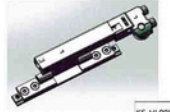














50

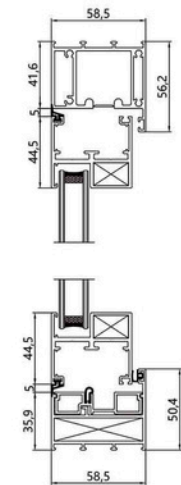
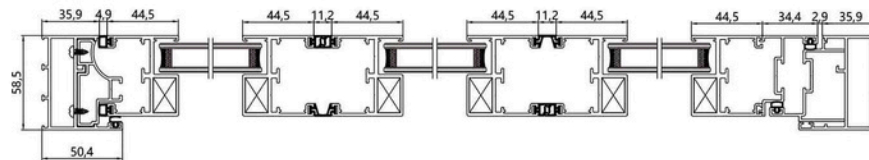
DATA SHEET



















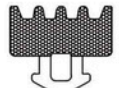







# SERIES FOLDING WINDOW

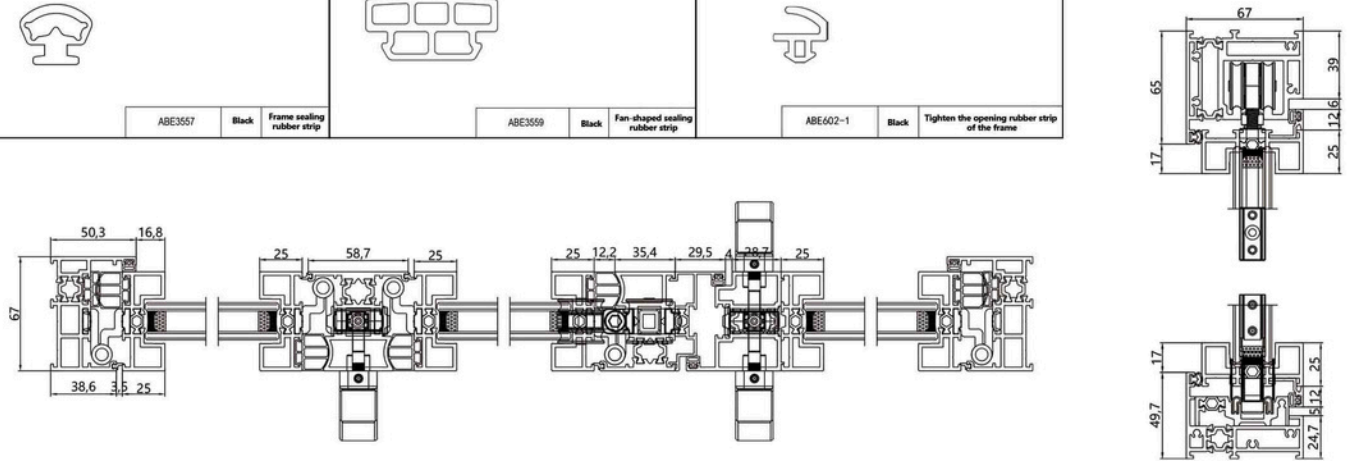
## 50 DATA SHEET

 <table border="1"> <tr> <td>KS-HY0050AL-02</td> <td>Silver</td> <td>50</td> <td>Folding door hinges A</td> </tr> <tr> <td>KS-HY0050AL-03</td> <td>Black</td> <td></td> <td></td> </tr> </table>	KS-HY0050AL-02	Silver	50	Folding door hinges A	KS-HY0050AL-03	Black			 <table border="1"> <tr> <td>KS-HY0050BL-02</td> <td>Silver</td> <td>50</td> <td>Folding door hinges B</td> </tr> <tr> <td>KS-HY0050BL-03</td> <td>Black</td> <td></td> <td></td> </tr> </table>	KS-HY0050BL-02	Silver	50	Folding door hinges B	KS-HY0050BL-03	Black			 <table border="1"> <tr> <td>KS-HL0055AL-02</td> <td>Silver</td> <td>65</td> <td>Upper load bearing pulley block 3+1</td> </tr> <tr> <td>KS-HL0055AL-03</td> <td>Black</td> <td></td> <td></td> </tr> </table>	KS-HL0055AL-02	Silver	65	Upper load bearing pulley block 3+1	KS-HL0055AL-03	Black			 <table border="1"> <tr> <td>KS-HL0050AL-02</td> <td>Silver</td> <td>50</td> <td>Lower load bearing pulley block 3+1</td> </tr> <tr> <td>KS-HL0050AL-03</td> <td>Black</td> <td></td> <td></td> </tr> </table>	KS-HL0050AL-02	Silver	50	Lower load bearing pulley block 3+1	KS-HL0050AL-03	Black			 <table border="1"> <tr> <td>KS-HL0065CL-02</td> <td>Silver</td> <td>65</td> <td>Upper load bearing pulley block 2+2(L)</td> </tr> <tr> <td>KS-HL0065CL-03</td> <td>Black</td> <td></td> <td></td> </tr> </table>	KS-HL0065CL-02	Silver	65	Upper load bearing pulley block 2+2(L)	KS-HL0065CL-03	Black		
KS-HY0050AL-02	Silver	50	Folding door hinges A																																									
KS-HY0050AL-03	Black																																											
KS-HY0050BL-02	Silver	50	Folding door hinges B																																									
KS-HY0050BL-03	Black																																											
KS-HL0055AL-02	Silver	65	Upper load bearing pulley block 3+1																																									
KS-HL0055AL-03	Black																																											
KS-HL0050AL-02	Silver	50	Lower load bearing pulley block 3+1																																									
KS-HL0050AL-03	Black																																											
KS-HL0065CL-02	Silver	65	Upper load bearing pulley block 2+2(L)																																									
KS-HL0065CL-03	Black																																											
 <table border="1"> <tr> <td>KS-HL0055CR-02</td> <td>Silver</td> <td>65</td> <td>Upper load bearing pulley block 2+2(R)</td> </tr> <tr> <td>KS-HL0055CR-03</td> <td>Black</td> <td></td> <td></td> </tr> </table>	KS-HL0055CR-02	Silver	65	Upper load bearing pulley block 2+2(R)	KS-HL0055CR-03	Black			 <table border="1"> <tr> <td>KS-HL0050BL-02</td> <td>Silver</td> <td>50</td> <td>Lower load bearing pulley block 2+2(L)</td> </tr> <tr> <td>KS-HL0050BL-03</td> <td>Black</td> <td></td> <td></td> </tr> </table>	KS-HL0050BL-02	Silver	50	Lower load bearing pulley block 2+2(L)	KS-HL0050BL-03	Black			 <table border="1"> <tr> <td>KS-HL0050BR-02</td> <td>Silver</td> <td>50</td> <td>Lower load bearing pulley block 2+2(R)</td> </tr> <tr> <td>KS-HL0050BR-03</td> <td>Black</td> <td></td> <td></td> </tr> </table>	KS-HL0050BR-02	Silver	50	Lower load bearing pulley block 2+2(R)	KS-HL0050BR-03	Black			 <table border="1"> <tr> <td>KS-CX0050BL-02</td> <td>Silver</td> <td>50</td> <td>Folding door latch lock tongue (L)</td> </tr> <tr> <td>KS-CX0050BL-03</td> <td>Black</td> <td></td> <td></td> </tr> </table>	KS-CX0050BL-02	Silver	50	Folding door latch lock tongue (L)	KS-CX0050BL-03	Black			 <table border="1"> <tr> <td>KS-CX0050BR-02</td> <td>Silver</td> <td>50</td> <td>Folding door latch lock tongue (R)</td> </tr> <tr> <td>KS-CX0050BR-03</td> <td>Black</td> <td></td> <td></td> </tr> </table>	KS-CX0050BR-02	Silver	50	Folding door latch lock tongue (R)	KS-CX0050BR-03	Black		
KS-HL0055CR-02	Silver	65	Upper load bearing pulley block 2+2(R)																																									
KS-HL0055CR-03	Black																																											
KS-HL0050BL-02	Silver	50	Lower load bearing pulley block 2+2(L)																																									
KS-HL0050BL-03	Black																																											
KS-HL0050BR-02	Silver	50	Lower load bearing pulley block 2+2(R)																																									
KS-HL0050BR-03	Black																																											
KS-CX0050BL-02	Silver	50	Folding door latch lock tongue (L)																																									
KS-CX0050BL-03	Black																																											
KS-CX0050BR-02	Silver	50	Folding door latch lock tongue (R)																																									
KS-CX0050BR-03	Black																																											
 <table border="1"> <tr> <td>KS-L50006L-02</td> <td>Silver</td> <td>50</td> <td>Folding door twist door handle (L)</td> </tr> <tr> <td>KS-L50006L-03</td> <td>Black</td> <td></td> <td></td> </tr> </table>	KS-L50006L-02	Silver	50	Folding door twist door handle (L)	KS-L50006L-03	Black			 <table border="1"> <tr> <td>KS-L50006R-02</td> <td>Silver</td> <td>50</td> <td>Folding door twist door handle (R)</td> </tr> <tr> <td>KS-L50006R-03</td> <td>Black</td> <td></td> <td></td> </tr> </table>	KS-L50006R-02	Silver	50	Folding door twist door handle (R)	KS-L50006R-03	Black			 <table border="1"> <tr> <td>KS-CD0128AL-32</td> <td>Primary color</td> <td>28</td> <td>Bidirectional actuator (L)</td> </tr> </table>	KS-CD0128AL-32	Primary color	28	Bidirectional actuator (L)	 <table border="1"> <tr> <td>KS-CD0128AR-32</td> <td>Primary color</td> <td>28</td> <td>Bidirectional actuator (R)</td> </tr> </table>	KS-CD0128AR-32	Primary color	28	Bidirectional actuator (R)	 <table border="1"> <tr> <td>KS-CD0430CS-50</td> <td>Black</td> <td></td> <td>Adjustable plastic transmission rod (430mm/black)</td> </tr> </table>	KS-CD0430CS-50	Black		Adjustable plastic transmission rod (430mm/black)												
KS-L50006L-02	Silver	50	Folding door twist door handle (L)																																									
KS-L50006L-03	Black																																											
KS-L50006R-02	Silver	50	Folding door twist door handle (R)																																									
KS-L50006R-03	Black																																											
KS-CD0128AL-32	Primary color	28	Bidirectional actuator (L)																																									
KS-CD0128AR-32	Primary color	28	Bidirectional actuator (R)																																									
KS-CD0430CS-50	Black		Adjustable plastic transmission rod (430mm/black)																																									
 <table border="1"> <tr> <td>KS-G0005AX-64</td> <td>Black</td> <td>50</td> <td>Folding door Transmission connector (2mm)</td> </tr> </table>	KS-G0005AX-64	Black	50	Folding door Transmission connector (2mm)	 <table border="1"> <tr> <td>ABT685</td> <td>Black</td> <td></td> <td>Border rubber strip</td> </tr> </table>	ABT685	Black		Border rubber strip	 <table border="1"> <tr> <td>FB5</td> <td>Black</td> <td></td> <td>Fan shaped rubber strip</td> </tr> </table>	FB5	Black		Fan shaped rubber strip	 <table border="1"> <tr> <td>FG201</td> <td>Black</td> <td></td> <td>Tighten the opening rubber strip</td> </tr> </table>	FG201	Black		Tighten the opening rubber strip	 <table border="1"> <tr> <td>D0146</td> <td>Black</td> <td></td> <td>Fan shaped upper and lower rubber strips</td> </tr> </table>	D0146	Black		Fan shaped upper and lower rubber strips																				
KS-G0005AX-64	Black	50	Folding door Transmission connector (2mm)																																									
ABT685	Black		Border rubber strip																																									
FB5	Black		Fan shaped rubber strip																																									
FG201	Black		Tighten the opening rubber strip																																									
D0146	Black		Fan shaped upper and lower rubber strips																																									
 <table border="1"> <tr> <td>D6147</td> <td>Black</td> <td></td> <td>Vertical frame rubber strips</td> </tr> </table>	D6147	Black		Vertical frame rubber strips																																								
D6147	Black		Vertical frame rubber strips																																									



# SERIES FOLDING WINDOW

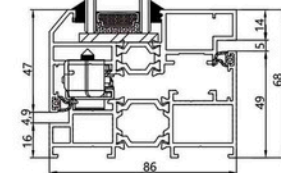
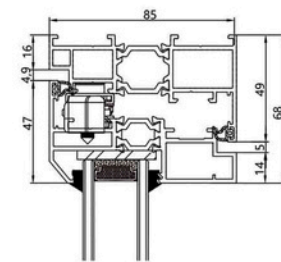
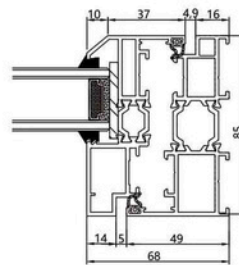
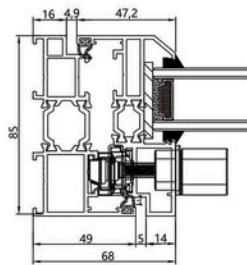
 <table border="1"> <tr> <td>KS-ZS0002PL-02</td> <td>Silver</td> <td rowspan="3">Door hinges</td> </tr> <tr> <td>KS-ZS0002PL-03</td> <td>Black</td> </tr> <tr> <td>KS-ZS0002PL-04</td> <td>White</td> </tr> </table>	KS-ZS0002PL-02	Silver	Door hinges	KS-ZS0002PL-03	Black	KS-ZS0002PL-04	White	 <table border="1"> <tr> <td>KS-ZS0000Y1L-02</td> <td>Silver</td> <td rowspan="3">Fake door hinges</td> </tr> <tr> <td>KS-ZS0000Y1L-03</td> <td>Black</td> </tr> <tr> <td>KS-ZS0000Y1L-04</td> <td>White</td> </tr> </table>	KS-ZS0000Y1L-02	Silver	Fake door hinges	KS-ZS0000Y1L-03	Black	KS-ZS0000Y1L-04	White	 <table border="1"> <tr> <td>KS-ST0030H-32</td> <td>Primary color</td> <td>30°/92° Door lock</td> </tr> </table>	KS-ST0030H-32	Primary color	30°/92° Door lock	 <table border="1"> <tr> <td>KS-LS0003DL-02</td> <td>Silver</td> <td rowspan="3">Folding door twist door handle</td> </tr> <tr> <td>KS-LS0003DL-03</td> <td>Black</td> </tr> <tr> <td>KS-LS0003DL-04</td> <td>White</td> </tr> </table>	KS-LS0003DL-02	Silver	Folding door twist door handle	KS-LS0003DL-03	Black	KS-LS0003DL-04	White	 <table border="1"> <tr> <td>KS-LS0003BL-02</td> <td>Silver</td> <td rowspan="3">Folding door locked twist door handle</td> </tr> <tr> <td>KS-LS0003BL-03</td> <td>Black</td> </tr> <tr> <td>KS-LS0003BL-04</td> <td>White</td> </tr> </table>	KS-LS0003BL-02	Silver	Folding door locked twist door handle	KS-LS0003BL-03	Black	KS-LS0003BL-04	White
KS-ZS0002PL-02	Silver	Door hinges																																	
KS-ZS0002PL-03	Black																																		
KS-ZS0002PL-04	White																																		
KS-ZS0000Y1L-02	Silver	Fake door hinges																																	
KS-ZS0000Y1L-03	Black																																		
KS-ZS0000Y1L-04	White																																		
KS-ST0030H-32	Primary color	30°/92° Door lock																																	
KS-LS0003DL-02	Silver	Folding door twist door handle																																	
KS-LS0003DL-03	Black																																		
KS-LS0003DL-04	White																																		
KS-LS0003BL-02	Silver	Folding door locked twist door handle																																	
KS-LS0003BL-03	Black																																		
KS-LS0003BL-04	White																																		
 <table border="1"> <tr> <td>KS-LS0003CL-02</td> <td>Silver</td> <td rowspan="3">Folding door locked twist door handle</td> </tr> <tr> <td>KS-LS0003CL-03</td> <td>Black</td> </tr> <tr> <td>KS-LS0003CL-04</td> <td>White</td> </tr> </table>	KS-LS0003CL-02	Silver	Folding door locked twist door handle	KS-LS0003CL-03	Black	KS-LS0003CL-04	White	 <table border="1"> <tr> <td>KS-CD0145DX-4</td> <td>Primary color</td> <td>14.5 Bidirectional actuator (D)</td> </tr> </table>	KS-CD0145DX-4	Primary color	14.5 Bidirectional actuator (D)	 <table border="1"> <tr> <td>KS-CK0098AL-02</td> <td>Primary color</td> <td>SB Folding door latch lock tongue</td> </tr> </table>	KS-CK0098AL-02	Primary color	SB Folding door latch lock tongue	 <table border="1"> <tr> <td>KS-SX0565RT-38</td> <td>Primary color</td> <td>130 nickel brushed single opening lock core (65/65Rsingle opening)</td> </tr> </table>	KS-SX0565RT-38	Primary color	130 nickel brushed single opening lock core (65/65Rsingle opening)	 <table border="1"> <tr> <td>KS-HY0058FL-02</td> <td>Silver</td> <td rowspan="2">SB Folding door hinges</td> </tr> <tr> <td>KS-HY0058FL-03</td> <td>Black</td> </tr> </table>	KS-HY0058FL-02	Silver	SB Folding door hinges	KS-HY0058FL-03	Black										
KS-LS0003CL-02	Silver	Folding door locked twist door handle																																	
KS-LS0003CL-03	Black																																		
KS-LS0003CL-04	White																																		
KS-CD0145DX-4	Primary color	14.5 Bidirectional actuator (D)																																	
KS-CK0098AL-02	Primary color	SB Folding door latch lock tongue																																	
KS-SX0565RT-38	Primary color	130 nickel brushed single opening lock core (65/65Rsingle opening)																																	
KS-HY0058FL-02	Silver	SB Folding door hinges																																	
KS-HY0058FL-03	Black																																		
 <table border="1"> <tr> <td>KS-HL0758AX-62</td> <td>Primary color</td> <td>SBPRO Upper pulley 2+2</td> </tr> </table>	KS-HL0758AX-62	Primary color	SBPRO Upper pulley 2+2	 <table border="1"> <tr> <td>KS-HL0558AX-62</td> <td>Primary color</td> <td>SBPRO Lower pulley 2+2</td> </tr> </table>	KS-HL0558AX-62	Primary color	SBPRO Lower pulley 2+2	 <table border="1"> <tr> <td>KS-HL0658AX-62</td> <td>Primary color</td> <td>SBPRO Upper pulley 3+1</td> </tr> </table>	KS-HL0658AX-62	Primary color	SBPRO Upper pulley 3+1	 <table border="1"> <tr> <td>KS-HL0558BX-62</td> <td>Primary color</td> <td>SBPRO Lower pulley 3+1</td> </tr> </table>	KS-HL0558BX-62	Primary color	SBPRO Lower pulley 3+1	 <table border="1"> <tr> <td>KS-CD0145BX-62</td> <td>Primary color</td> <td>14.5 Bidirectional actuator (B)</td> </tr> </table>	KS-CD0145BX-62	Primary color	14.5 Bidirectional actuator (B)																
KS-HL0758AX-62	Primary color	SBPRO Upper pulley 2+2																																	
KS-HL0558AX-62	Primary color	SBPRO Lower pulley 2+2																																	
KS-HL0658AX-62	Primary color	SBPRO Upper pulley 3+1																																	
KS-HL0558BX-62	Primary color	SBPRO Lower pulley 3+1																																	
KS-CD0145BX-62	Primary color	14.5 Bidirectional actuator (B)																																	
 <table border="1"> <tr> <td>KS-PK0002PL-02</td> <td>Silver</td> <td rowspan="2">Bump bottom</td> </tr> <tr> <td>KS-PK0002PL-03</td> <td>Black</td> </tr> </table>	KS-PK0002PL-02	Silver	Bump bottom	KS-PK0002PL-03	Black	 <table border="1"> <tr> <td>ABE3582</td> <td>Black</td> <td>Fan shaped rubber strip A</td> </tr> </table>	ABE3582	Black	Fan shaped rubber strip A	 <table border="1"> <tr> <td>ABE3583</td> <td>Black</td> <td>Tighten the opening rubber strip of the frame</td> </tr> </table>	ABE3583	Black	Tighten the opening rubber strip of the frame	 <table border="1"> <tr> <td>ABE3600</td> <td>Black</td> <td>Central column rubber strip</td> </tr> </table>	ABE3600	Black	Central column rubber strip	 <table border="1"> <tr> <td>ABE3625</td> <td>Black</td> <td>Frame rubber strip</td> </tr> </table>	ABE3625	Black	Frame rubber strip														
KS-PK0002PL-02	Silver	Bump bottom																																	
KS-PK0002PL-03	Black																																		
ABE3582	Black	Fan shaped rubber strip A																																	
ABE3583	Black	Tighten the opening rubber strip of the frame																																	
ABE3600	Black	Central column rubber strip																																	
ABE3625	Black	Frame rubber strip																																	
 <table border="1"> <tr> <td>ABE3556</td> <td>Black</td> <td>Fan shaped rubber strip B</td> </tr> </table>	ABE3556	Black	Fan shaped rubber strip B	 <table border="1"> <tr> <td>ABE3557</td> <td>Black</td> <td>Frame sealing rubber strip</td> </tr> </table>	ABE3557	Black	Frame sealing rubber strip	 <table border="1"> <tr> <td>ABE3559</td> <td>Black</td> <td>Fan shaped sealing rubber strip</td> </tr> </table>	ABE3559	Black	Fan shaped sealing rubber strip	 <table border="1"> <tr> <td>ABE602-1</td> <td>Black</td> <td>Tighten the opening rubber strip of the frame</td> </tr> </table>	ABE602-1	Black	Tighten the opening rubber strip of the frame																				
ABE3556	Black	Fan shaped rubber strip B																																	
ABE3557	Black	Frame sealing rubber strip																																	
ABE3559	Black	Fan shaped sealing rubber strip																																	
ABE602-1	Black	Tighten the opening rubber strip of the frame																																	





















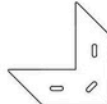
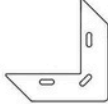

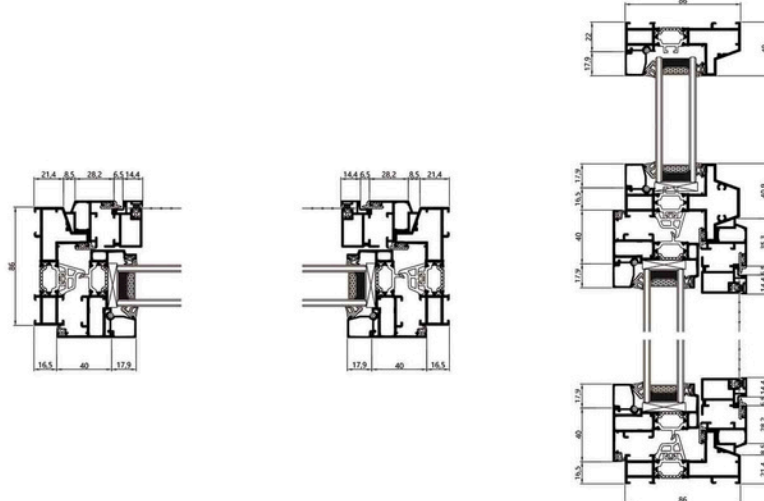
# SERIES THERMAL BREAK SLIM CASEMENT WINDOW (WITH RETRACTABLE SCREEN)

## 86 DATA SHEET

<p>KS-ZS0011AL-02 KS-ZS0011AL-03</p> <p>Silver Black</p> <p>Side mounted handle (right)</p>	<p>KS-ZS0011AR-02 KS-ZS0011AR-03</p> <p>Silver Black</p> <p>Side mounted handle (left)</p>	<p>KS-CD0128CL-32</p> <p>Primary color</p> <p>28 Bidirectional actuator CL</p>	<p>KK-JL0105LB-32/K K-JL0105RB-32</p> <p>16 inches</p> <p>Hinge 3.5 60kg Load bearing capacity</p>	<p>KS-JL0183LB-32/K S-JL0183RB-32</p> <p>16 inches</p> <p>Hinge 6.0 80kg Load bearing capacity</p>
<p>SS12.08C38 SS12.10C38</p> <p>8 inches 10 inches</p> <p>Telescopic brace</p>	<p>KS-SG0007AX-62</p> <p>Primary color</p> <p>Anti theft lock bar</p>	<p>KS-SZ0014PX-62</p> <p>Primary color</p> <p>Anti theft lock seat</p>	<p>KS-ZC0002AX-62</p> <p>Primary color</p> <p>Lift the support component</p>	<p>KS-ZC0001AL-62</p> <p>Primary color</p> <p>Frame lifting support component L</p>
<p>KS-ZC0001AR-62</p> <p>Primary color</p> <p>Frame lifting support component R</p>	<p>PH312.00.1T012H3 PH312.00.1T1168H3</p> <p>Silver Black</p> <p>square shaft has no base handle</p>	<p>SP07.07.2T26C021 X</p> <p>Primary color</p> <p>square shaft (equipped with screws)</p>	<p>AGC37.30.011H5</p> <p>Primary color</p> <p>Multi functional transmission housing</p>	<p>ALR28.00.021H4</p> <p>Primary color</p> <p>ALR28 Safety lock bar</p>
<p>ALP33.00.021H4</p> <p>Primary color</p> <p>C slot safety lock seat</p>				







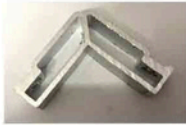



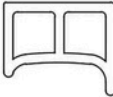
# SERIES THERMAL BREAK TILT&TURN WINDOW WITH SCREEN

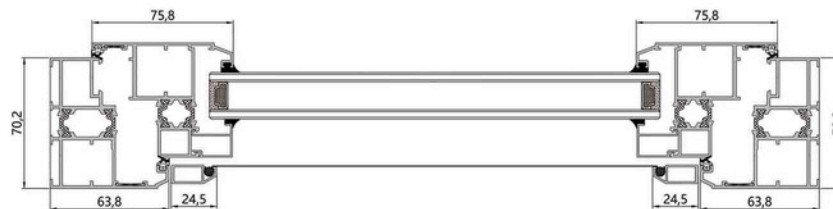
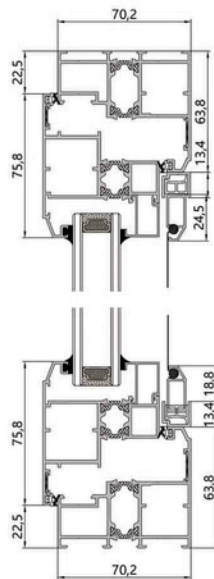
 <p>PH401.00.168H2 Black PH401 No base handle PH401.00.012H2 Silver</p>	 <p>AGC50.00.021H4 Primary color Milling free drive housing</p>	 <p>AD21.00.021H4 Primary color Transmission component</p>	 <p>CATT51.35.38L Primary color Hinge assembly (left) CATT51.35.38R Primary color Hinge assembly (right)</p>	 <p>ATR20.09C38X Primary color C shaped groove wind brace</p>
 <p>AMCT10.00.021 Primary color Intermediate angle actuator</p>	 <p>ALR28.65.021H4 Primary color Lock rod</p>	 <p>ALP10.00.021 Primary color C slot lock seat</p>	 <p>MAL502.021.011H5 Silver Handle MAL502.021.065H5 Black Handle</p>	 <p>APT20.00.021 Primary color Conversion rod</p>
 <p>ALR28.00.021H4 Primary color Safety lock lever</p>	 <p>ALP33.00.021H4 Primary color C slot safety lock seat</p>	 <p>CATH21.00.38 Primary color Light hinge hidden hinge</p>	 <p>XS2360-1800B Primary color Sash corner connector (indoor)</p>	 <p>22°18 Customized Primary color Middle column angle code (outdoor)</p>
 <p>22°17.7 Customized Primary color Middle column angle code (indoor)</p>	 <p>F715 Black Glass fan rubber strip</p>	 <p>F5077 Black Conversion frame rubber strip</p>	 <p>20.3*1.0*1.5 Primary color Frame steel sheet</p>	 <p>13.8*1.0*1.5 Primary color Fan/Subframe steel sheet</p>
 <p>XS3710-2800B Primary color Sash corner connector (outdoor)</p>				

# SERIES THERMAL BREAK CRANK CASEMENT WINDOW WITH SCREEN

70

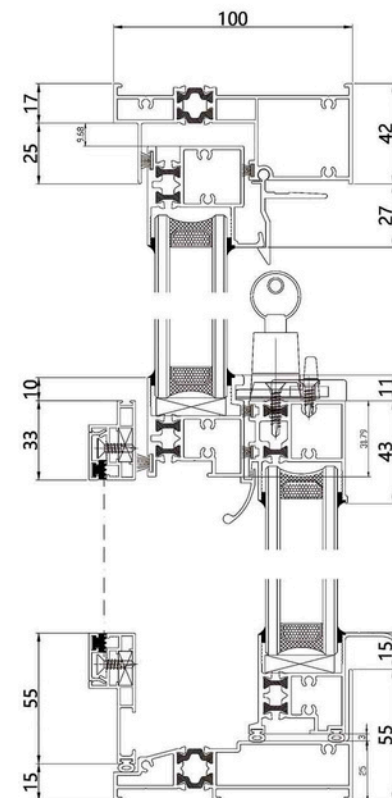
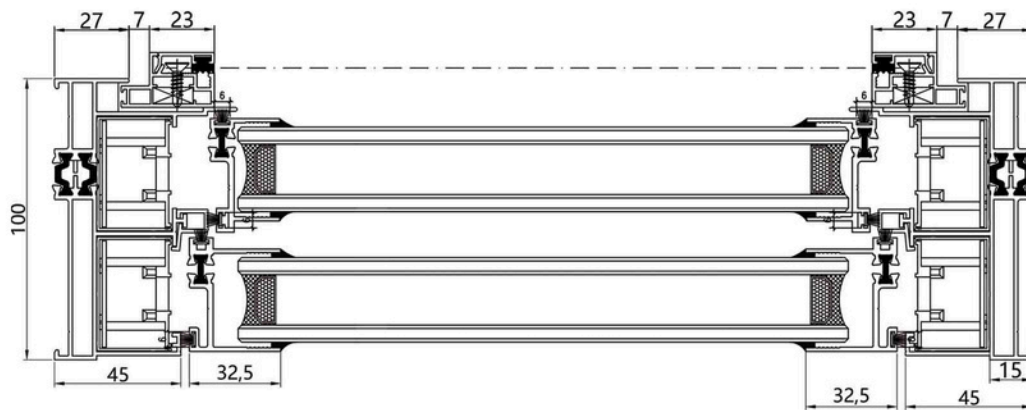
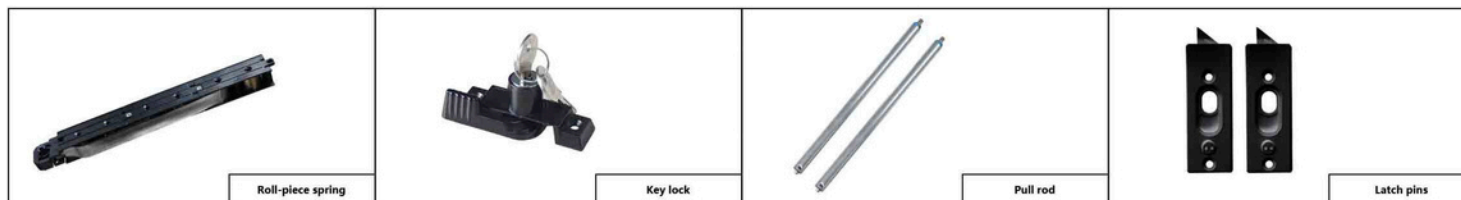
DATA SHEET

 <table border="1"> <tr> <td>hand crank window opener (white)</td> <td>White</td> <td rowspan="2">American hand crank window opener</td> </tr> <tr> <td>hand crank window opener (black)</td> <td>Black</td> </tr> </table>	hand crank window opener (white)	White	American hand crank window opener	hand crank window opener (black)	Black	 <p>40</p> <p>Primary color / Switch</p>	 <p>14*23.9</p> <p>Primary color / Frame corner code</p>	 <p>14*27</p> <p>Primary color / Fan A side angle code</p>	 <p>14*12.7 One piece corner code</p> <p>Primary color / Fan B side angle code</p>
hand crank window opener (white)	White	American hand crank window opener							
hand crank window opener (black)	Black								
 <p>10.9*1.0*1.2</p> <p>Primary color / Fan steel sheet</p>	 <p>15.6*1.0*1.3</p> <p>Primary color / Frame steel sheet</p>	 <p>F1420</p> <p>Black / Frame and sash rubber strips</p>	 <p>F1123</p> <p>Black / Gauze fan rubber strip</p>						



# SERIES SINGLE/DOUBLE HUNG WINDOW

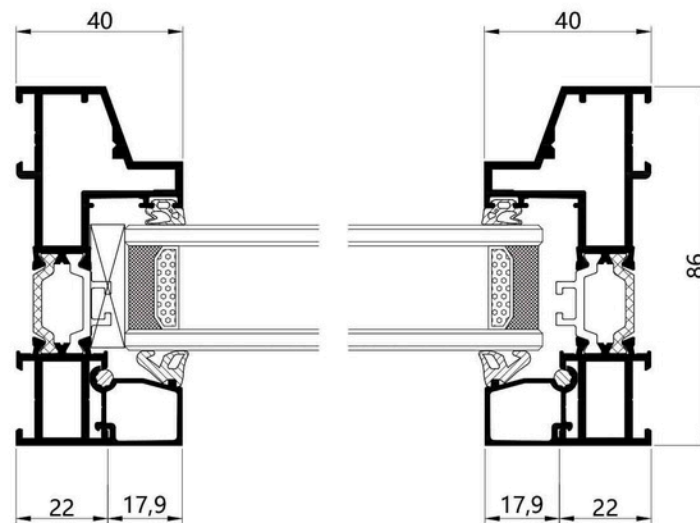
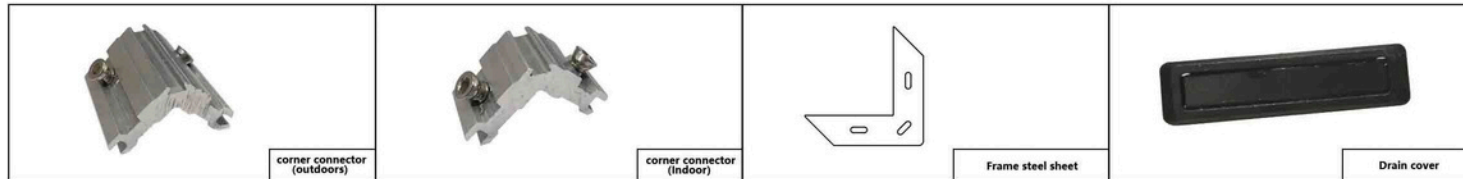
**100**  
DATA SHEET



# FIXED WINDOW

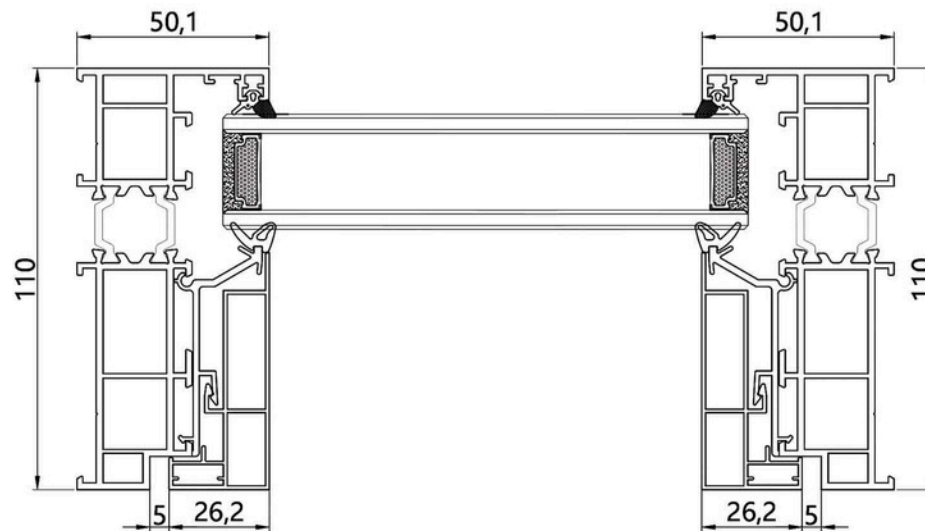
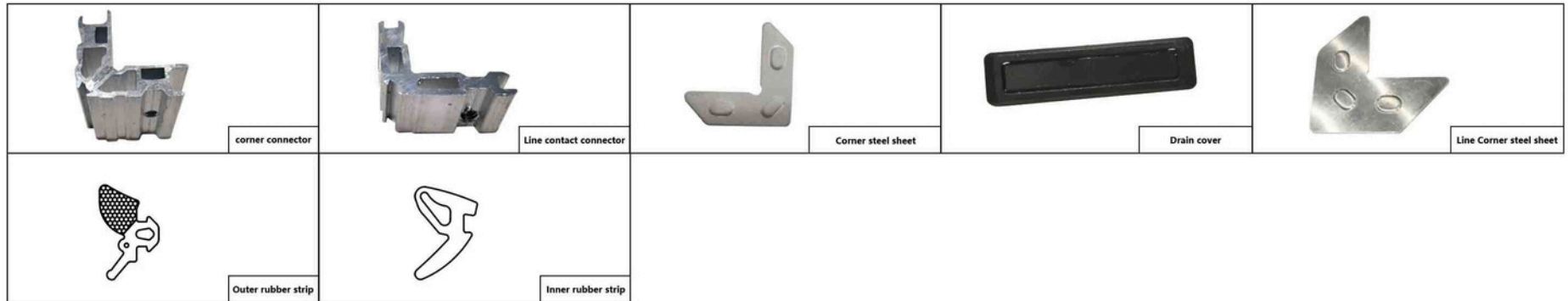
86

DATA SHEET



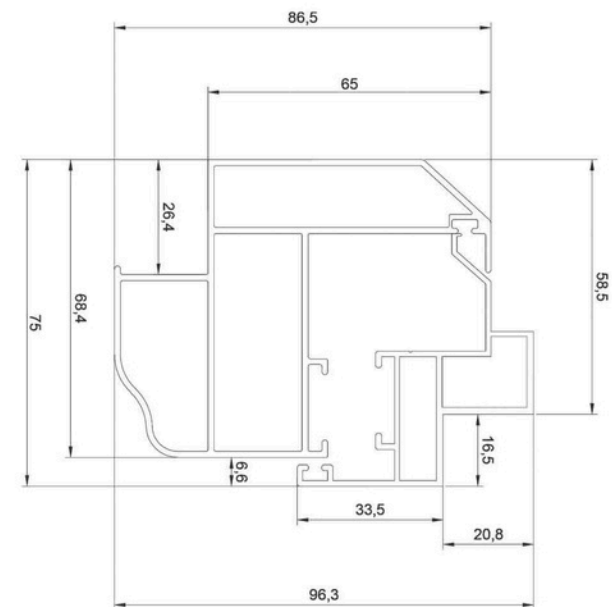
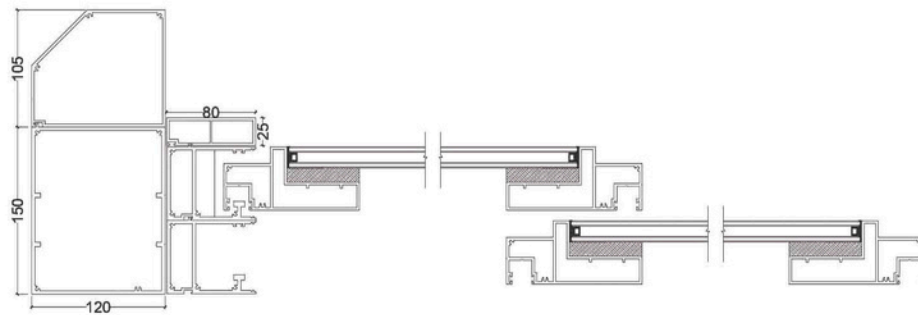
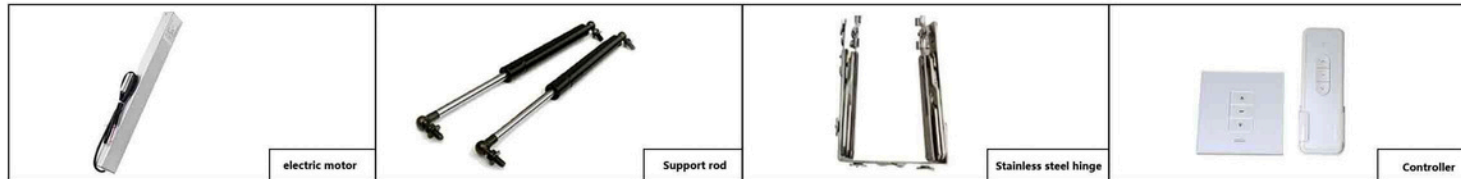
# FIXED WINDOW

**110**  
DATA SHEET



# SKYLIGHT WINDOW

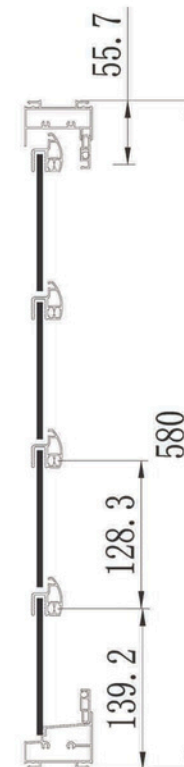
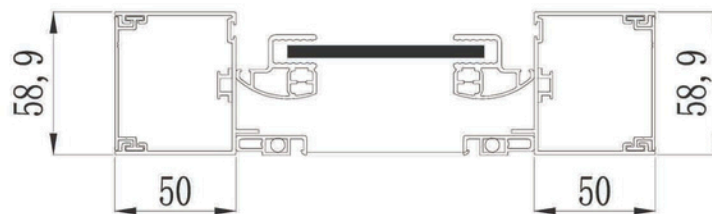
**100**  
DATA SHEET





# GLASS LOUVRE WINDOW

50  
DATA SHEET





# AVORA DOORS

## Contact Us



Phone:  
+1 512-522-2284



Email:  
[info@avoradoors.com](mailto:info@avoradoors.com)



Website:  
[www.AvoraDoors.com](http://www.AvoraDoors.com)



Address:  
3701 E Randol Mill Rd  
Suite 200 DOCK 8  
Arlington, TX 76011