

AVORA DOORS

Avora Doors Door Parts Hardware

Enhance your doors with premium-quality hardware from Avora Doors.

Designed for smooth performance, durability, and reliable security, each component—from hinges and handles to advanced locking systems—is built to support everyday use with ease. Crafted with precision and a modern finish, our door parts not only improve functionality but also complement the overall look of your space, making every door operation seamless and dependable.



📞 +1 512-522-2284

✉ info@avoradoors.com

🌐 www.AvoraDoors.com

📍 Texas Facility 1309 Ave H Grand
Prairie, TX 75050



AVORA DOORS

DOOR PARTS
HARDWARE

TABLE OF CONTENTS

DOOR HANDLE 03

LOCK BODY LOCK CORE 09

SUIT LOCK 15

HINGE 23

SLIDING DOOR ROLLER 30

POCKET DOOR ACCESSORIES 32

DOOR CLOSER 33

DUST BARRIER STRIP 40

**SMALL HARDWARE
ACCESSORIES** 42

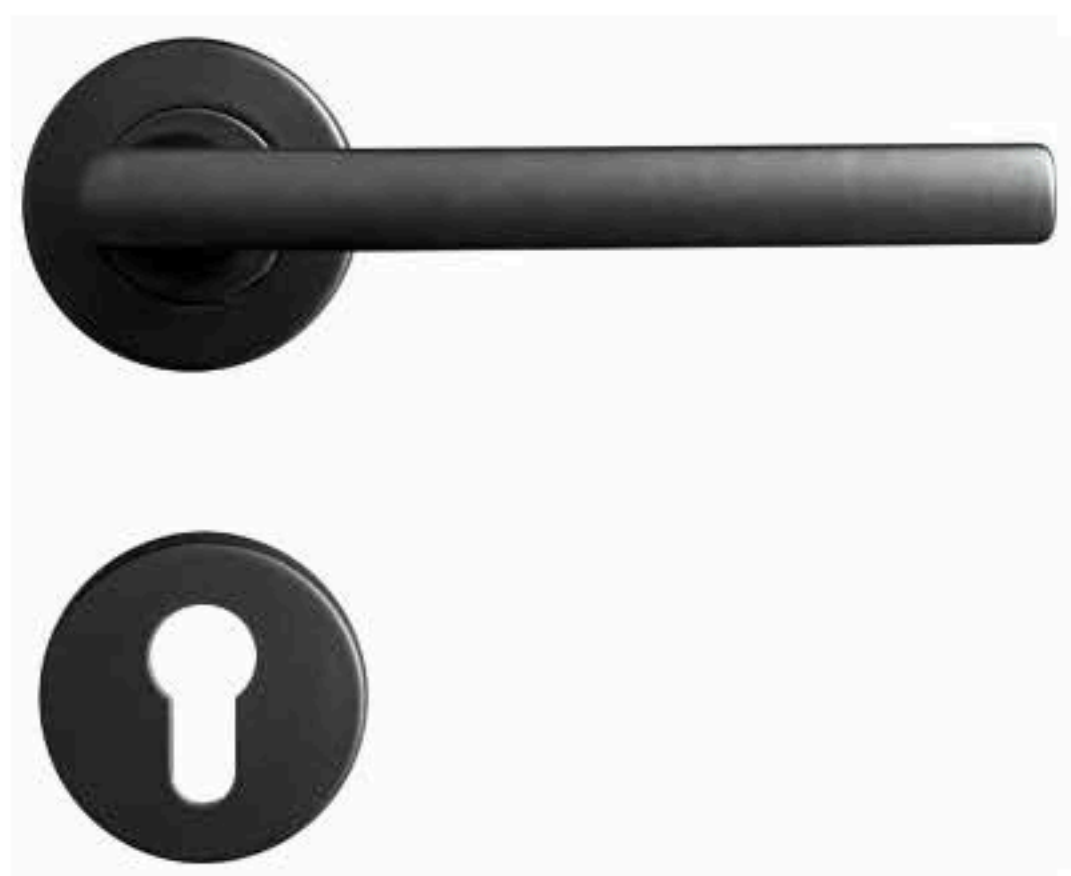
DOOR BOLT C 46



Door handle



Color:
Satin Nickel



Color: Black

SF-01AS

Material: Aluminum Alloy

Color: Satin Nickel, Black,
Polished Brass



Color: Black



Color:
Polished Brass

SF-01SS

Material: Stainless Steel201
Stainless Steel304

Color: Black, Stainless Steel



Color:
Stainless Steel



Color:
Satin Nickel



Color:
Stainless Steel

SF-02AS

Material: Aluminum Alloy

Color: Satin Nickel, Black,
Polished Brass



Color: Black



Color:
Polished Brass

SF-02SS

Material: Stainless Steel201
Stainless Steel304

Color: Black, Stainless Steel



Color: Black

Door handle



Color: Black

SF-03ZS

Material: Zinc Alloy

Color: Black, PVD Gold



Color: PVD Gold



SF-03AS

Material: Aluminum Oxide

Color: Black



SF-03SS

Material: Stainless Steel201, Stainless Steel304

Color: Stainless Steel, Black



SF-04SS

Material: Stainless Steel201
Stainless Steel304

Color: Stainless Steel, Black



Color:
Stainless Steel



Color:
Black



SF-05SS

Material: Stainless Steel201
Stainless Steel304

Color: Stainless Steel, Black



Color:
Stainless Steel



Color:
Black

Door handle



SF-06SS

Material: Stainless Steel201
Stainless Steel304

Color: Stainless Steel, Black



Color:
Stainless Steel



Color:
Black



Color: Black

SF-07ZS

Material: Zinc Alloy

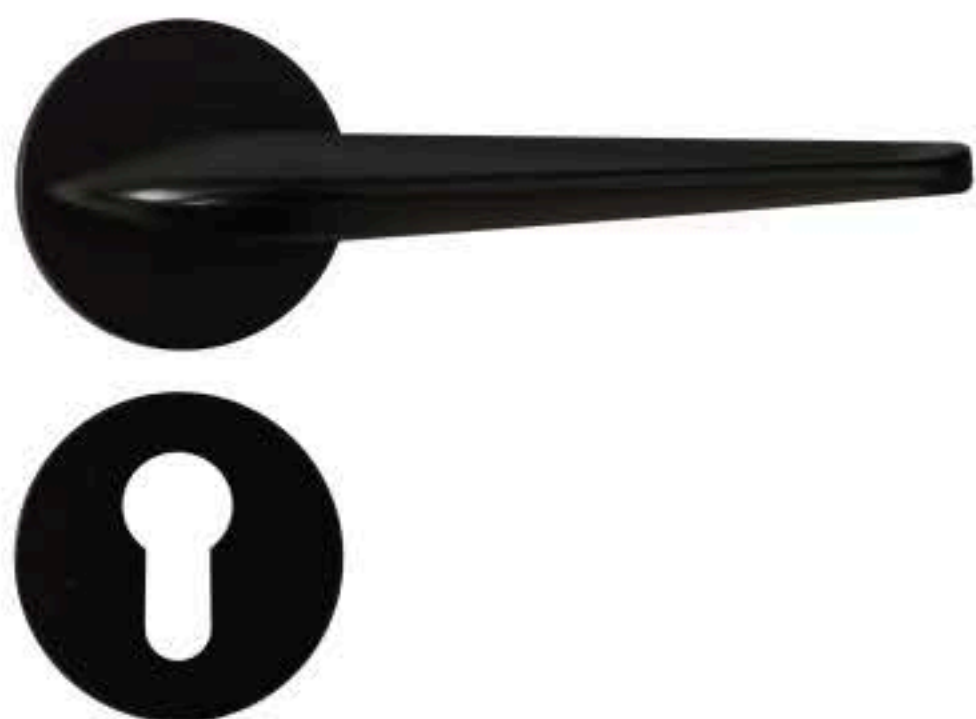
Color: Black, Bright Chrome,
PVD Gold



Color:
Bright Chrome



Color:
PVD Gold



SF-07AS

Material: Aluminum Oxide

Color: Black



SF-09ZS

Material: Zinc Alloy

Color: Black+PVD Gold

SF-10ZS

Material: Zinc Alloy

Color: Bright Chrome+Black



SF-11AS

Material: Aluminum Oxide

Color: Silver White, Black, Satin Nickel

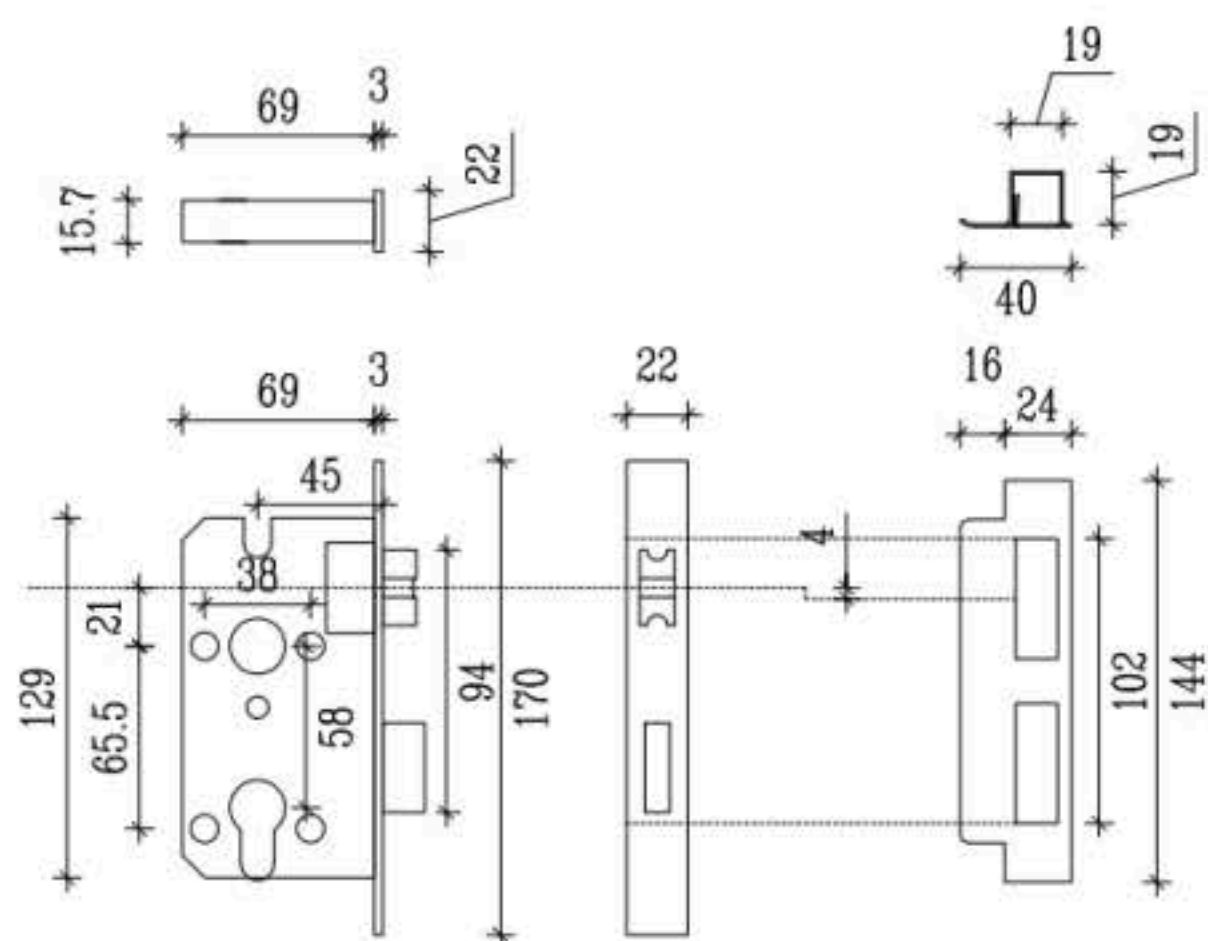


SF-12AS

Material: Aluminum Oxide

Color: Silver White, Black, Satin Nickel

Lock body lock core



**Lock Body
Dimension
Diagram**

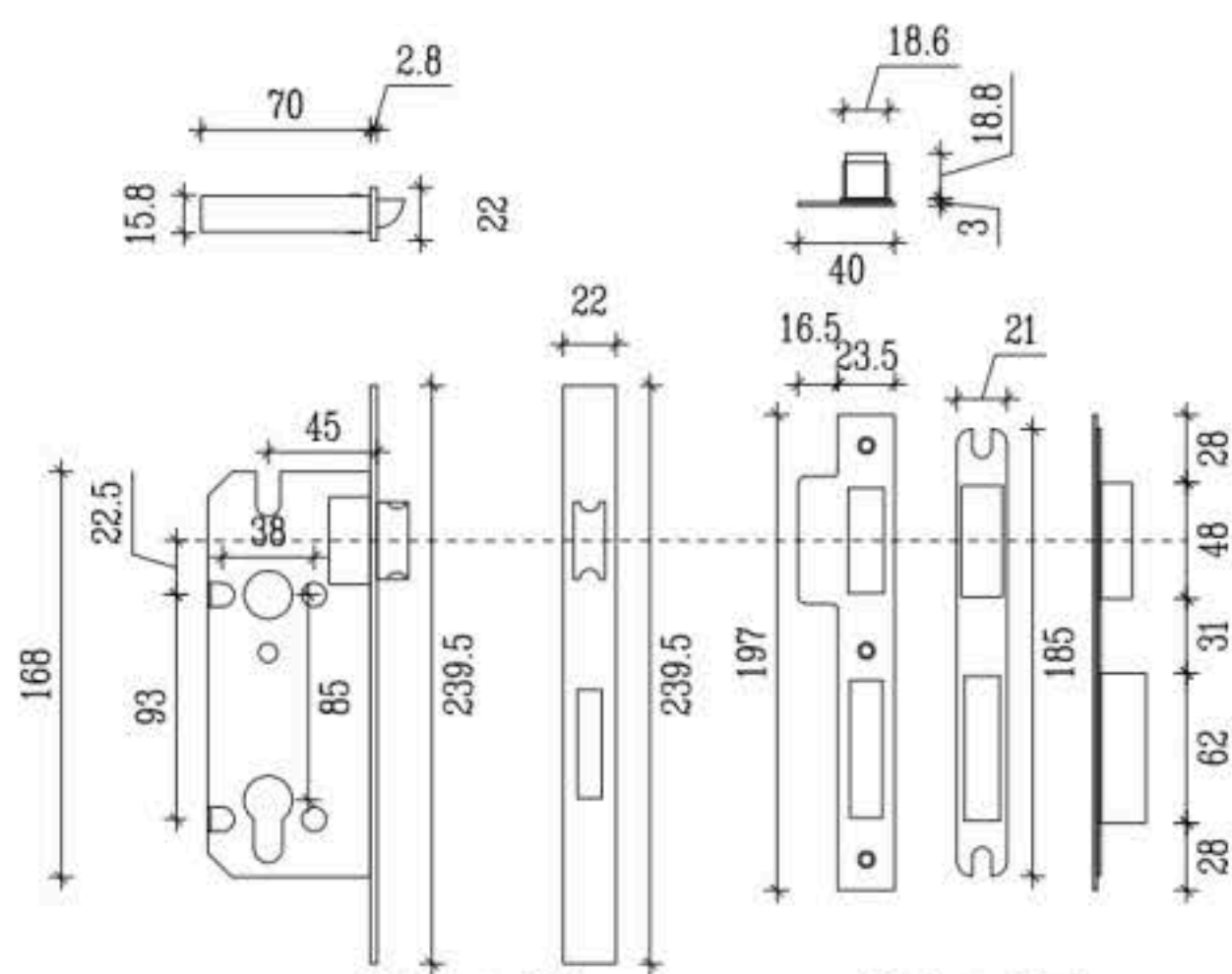
**Latch Plate
Dimension
Diagram**



ST-Y03JS

Material: 201 SS & Zinc

Color: Stainless Steel(SS)



**Lock Body
Dimension
Diagram**

**Latch Plate
Dimension
Diagram**



ST-Y02JS

Material: 201 SS & Zinc

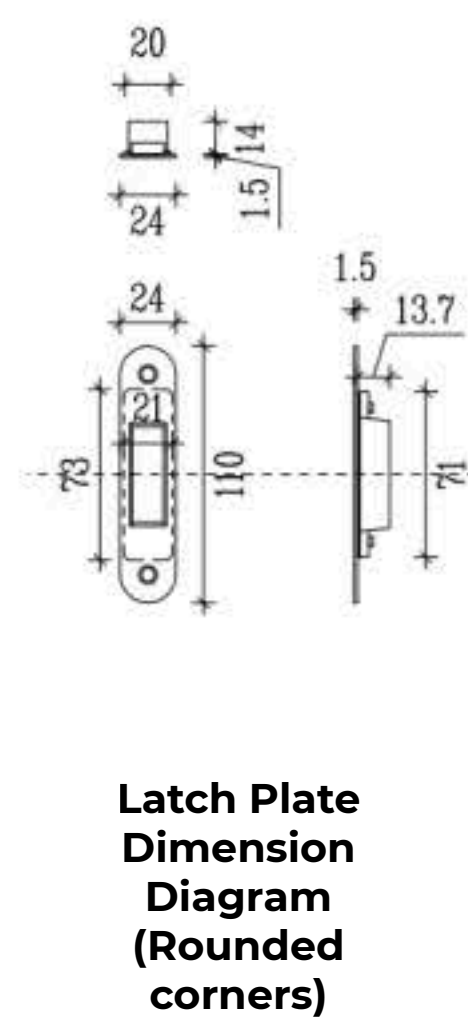
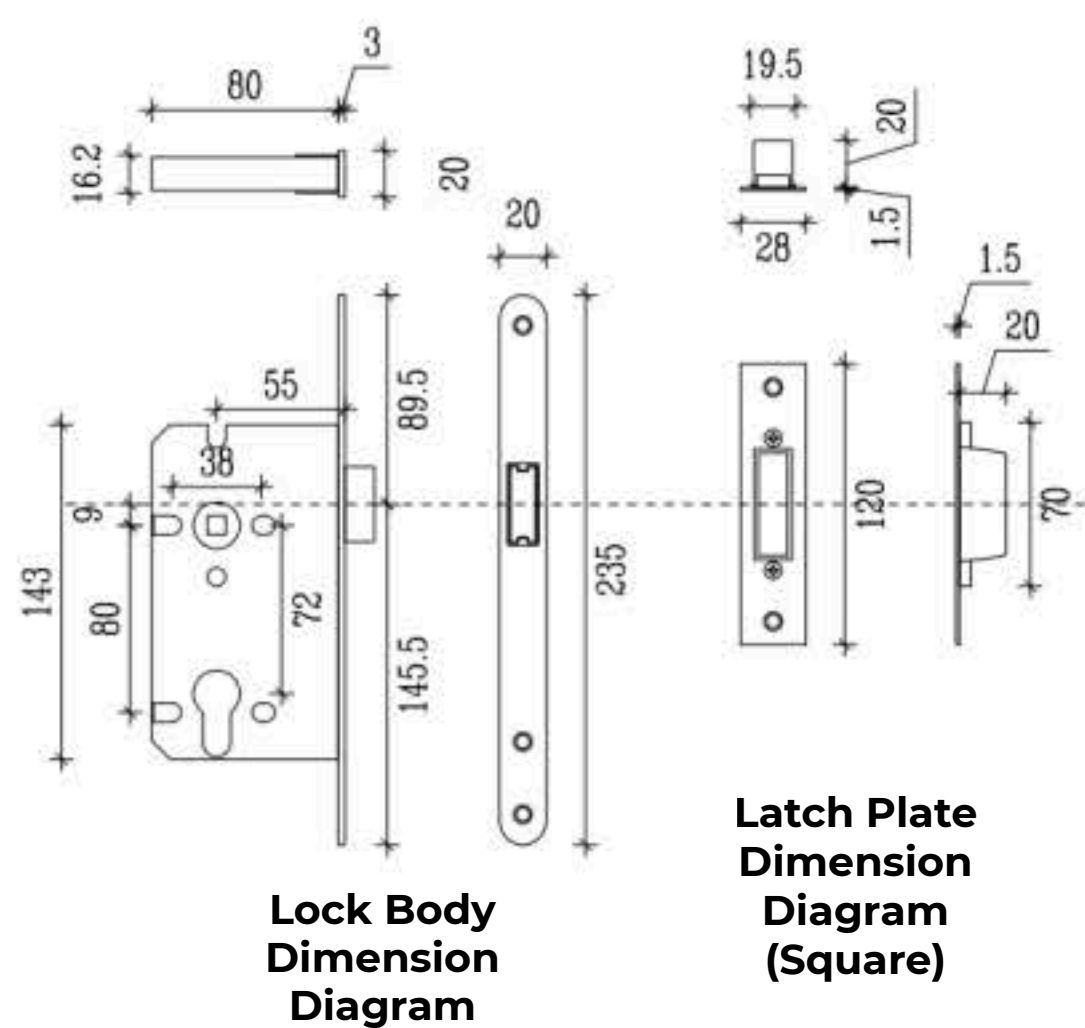
Color: Stainless Steel(SS)



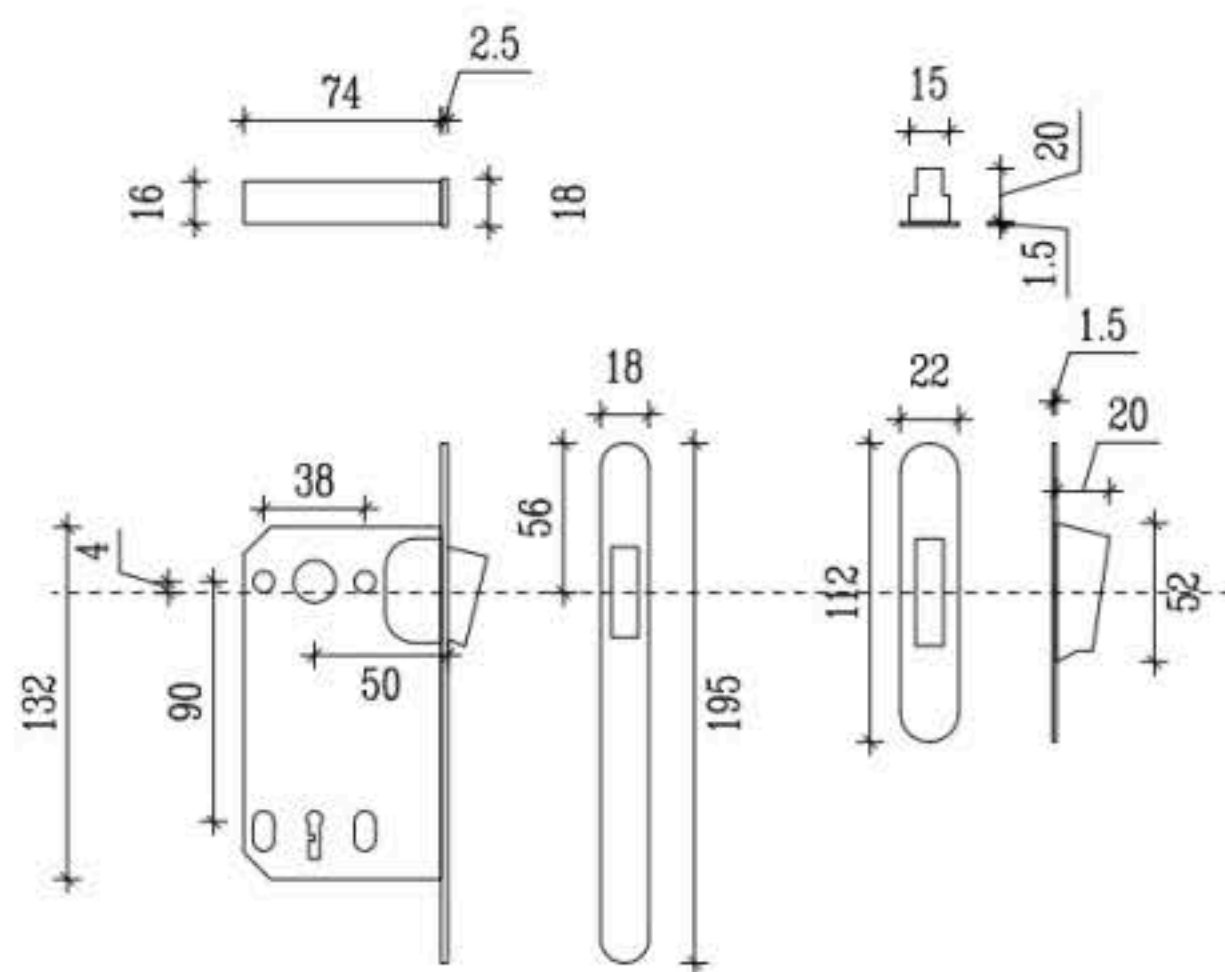
ST-Y01CS

Material: 201 SS

Color: Stainless Steel(SS)、



Lock body lock core



**Lock Body
Dimension
Diagram**

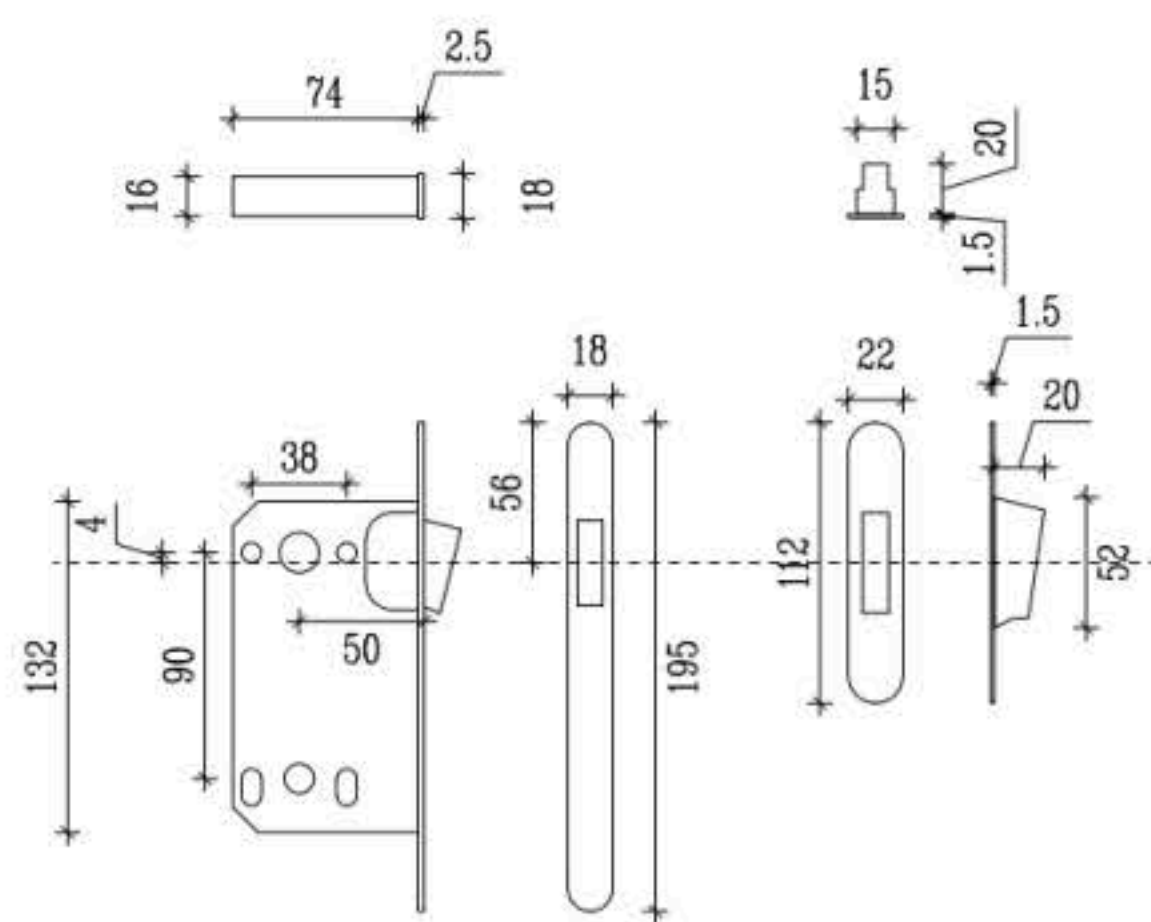
**Latch Plate
Dimension
Diagram**



ST-M01CY

Material: 201 SS

Color: Stainless Steel(SS)



**Lock Body
Dimension
Diagram**

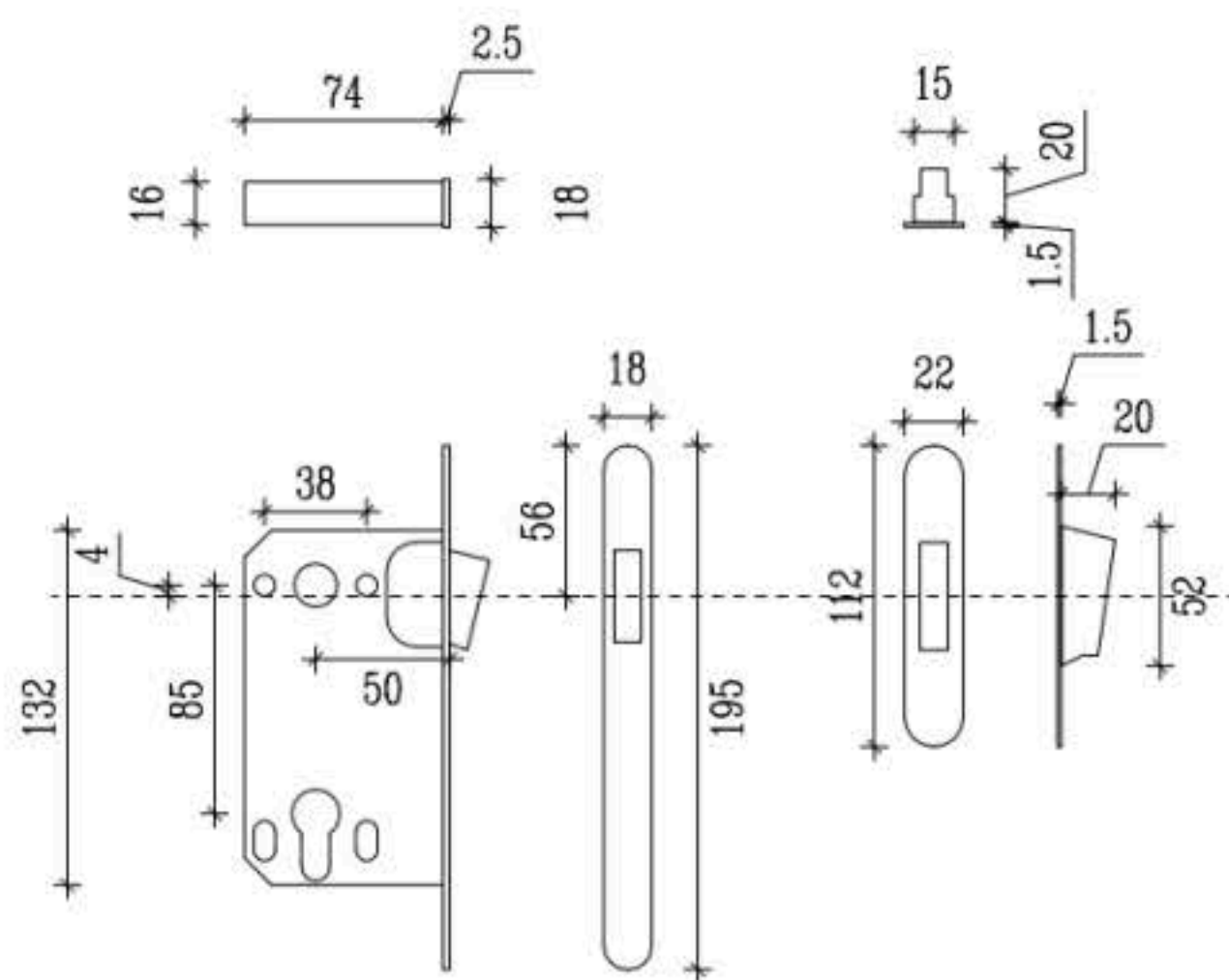
**Latch Plate
Dimension
Diagram**



ST-M01CW

Material: 201 SS

Color: Stainless Steel(SS)



**Lock Body
Dimension
Diagram**

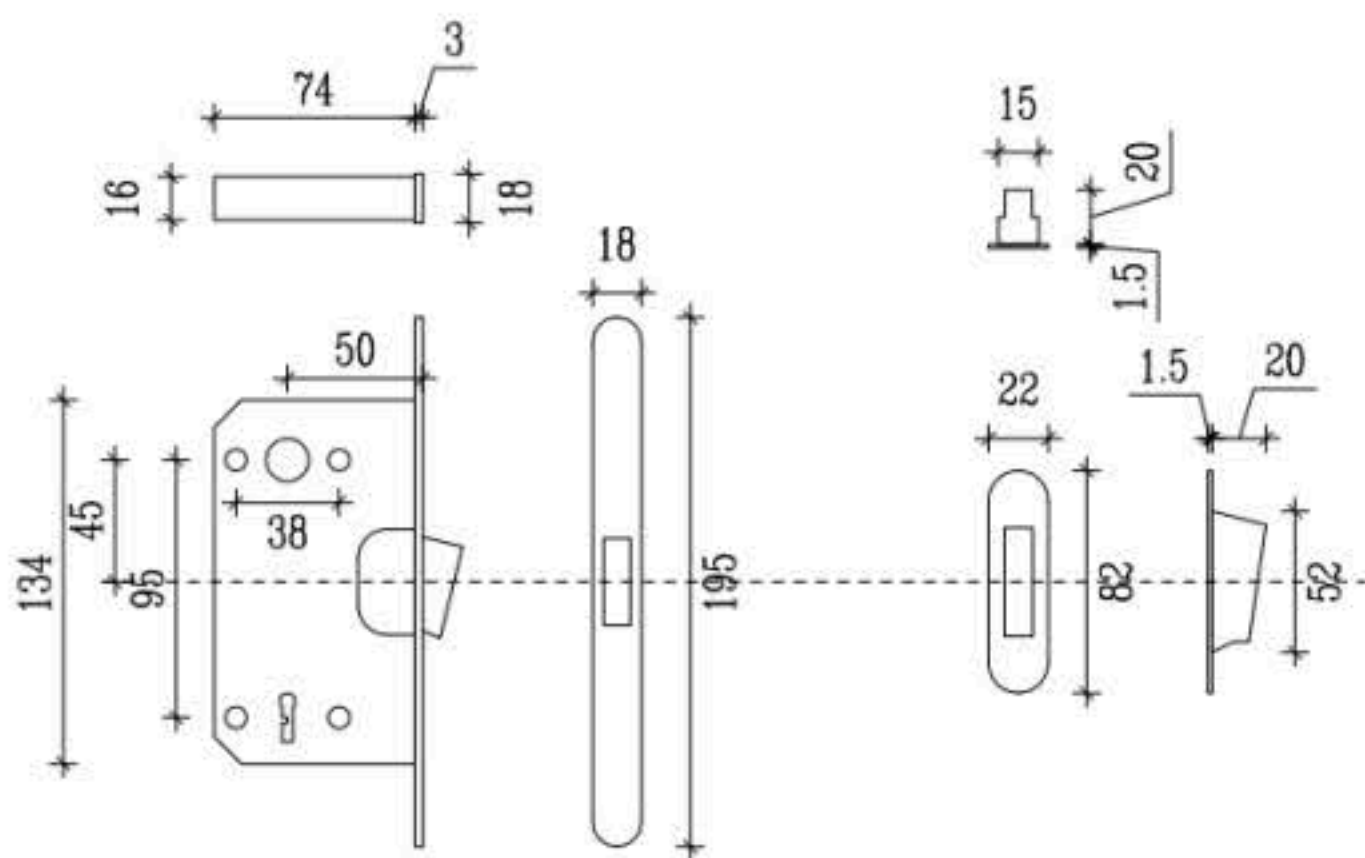
**Latch Plate
Dimension
Diagram**



ST-M01CS

Material: 201 SS

Color: Stainless Steel(SS)



**Lock Body
Dimension
Diagram**

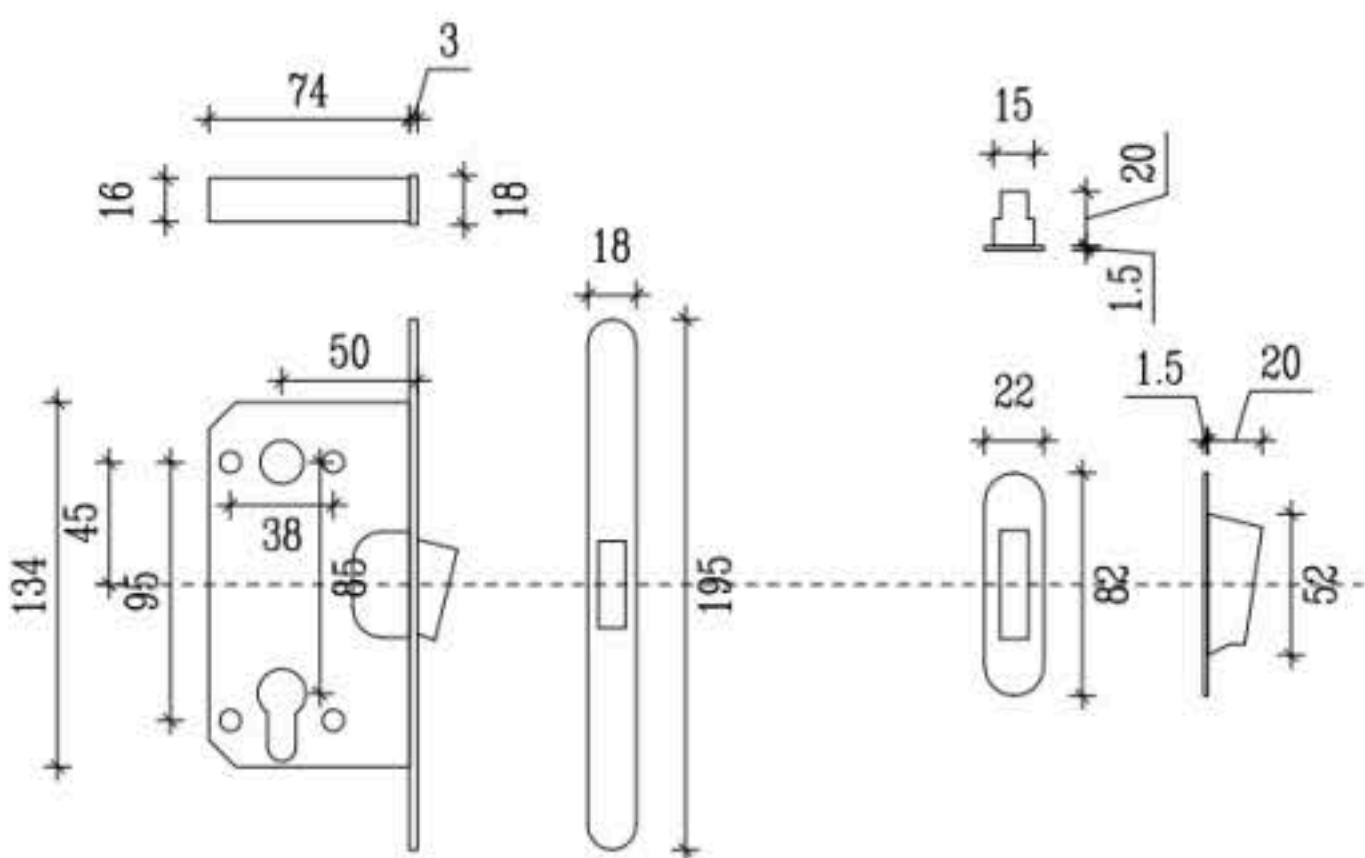
**Latch Plate
Dimension
Diagram**



ST-M02CY

Material: 201 SS

Color: Stainless Steel(SS)



**Lock Body
Dimension
Diagram**

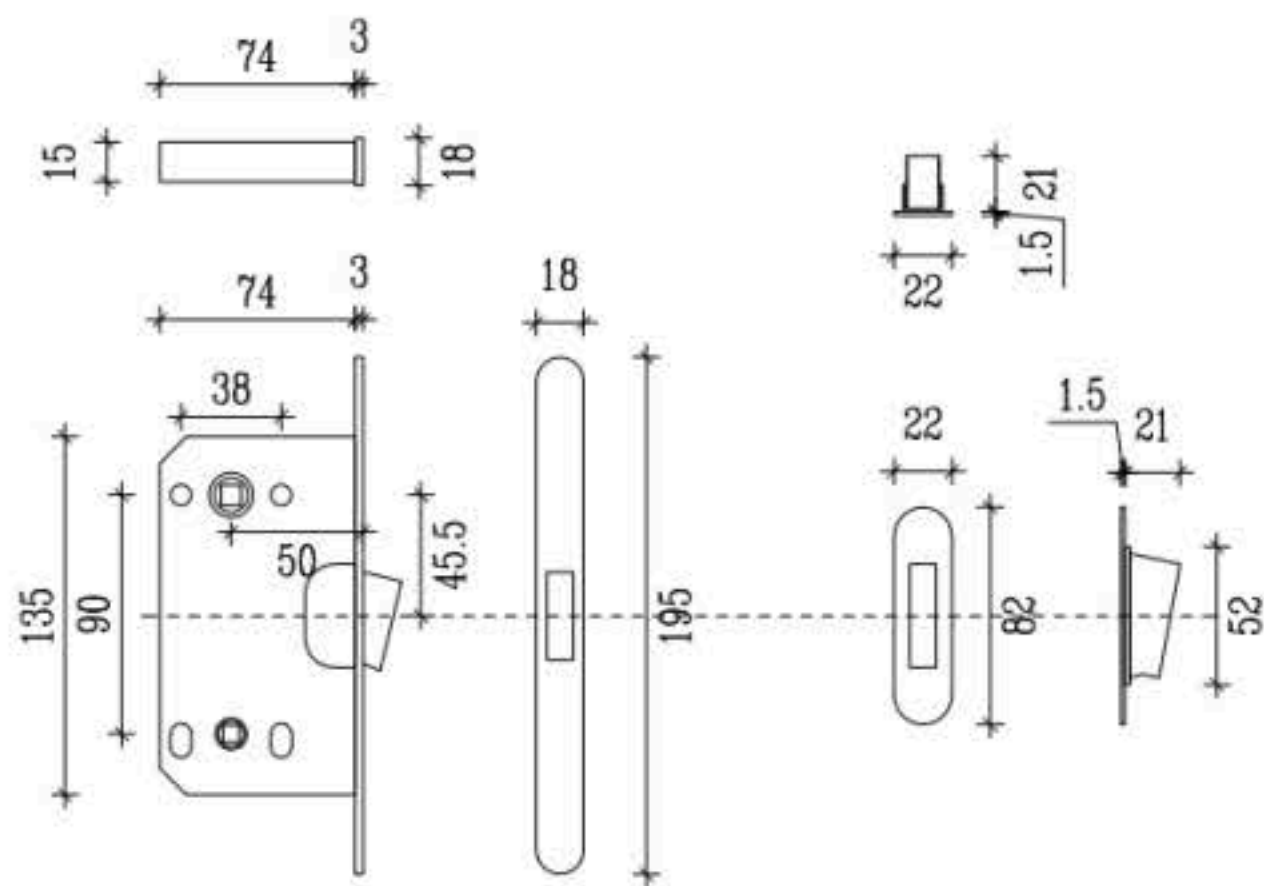
**Latch Plate
Dimension
Diagram**



ST-M02CS

Material: 201 SS

Color: Stainless Steel(SS)



**Lock Body
Dimension
Diagram**

**Block
Size
Chart**



ST-M02CW

Material: 201 SS

Color: Stainless Steel(SS)

Big 70mm Cylinder lock cylinder



Single key



Double key

Material: Zinc Alloy Housing with Brass Core
Aluminum Housing with Brass Core

Color: Black 、 Silver 、 Satin Nickel

Suit lock

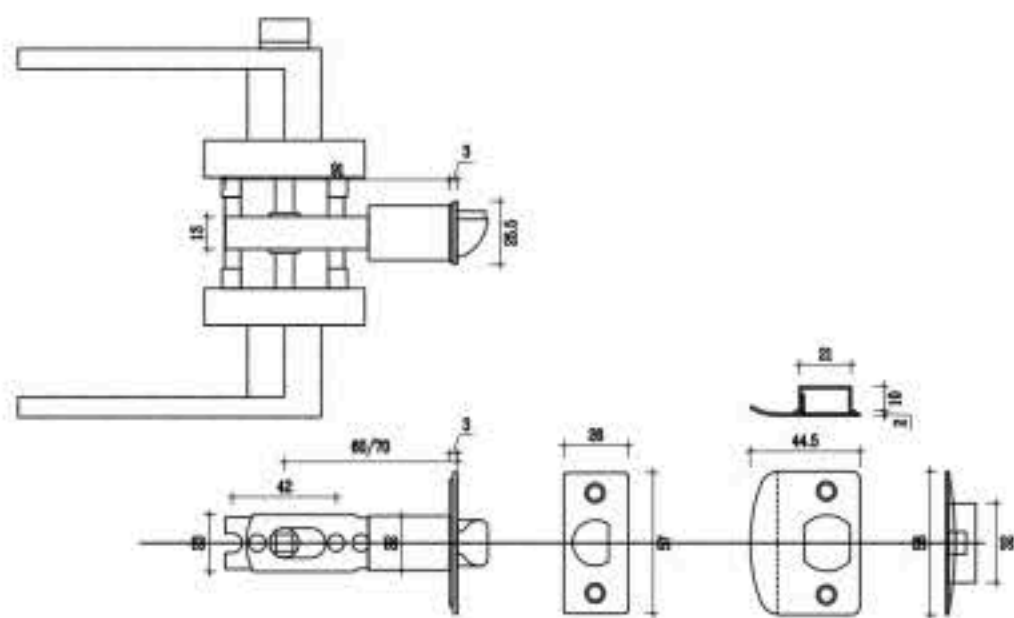


SS-01AB(keyless)

Material: Aluminum Alloy

Color: Satin Nickel, Black

Unitl: set (equipped with lock body)



Lock Body
Dimension
Diagram

Latch Plate
Dimension
Diagram



Color: Satin Nickel



Color: Black

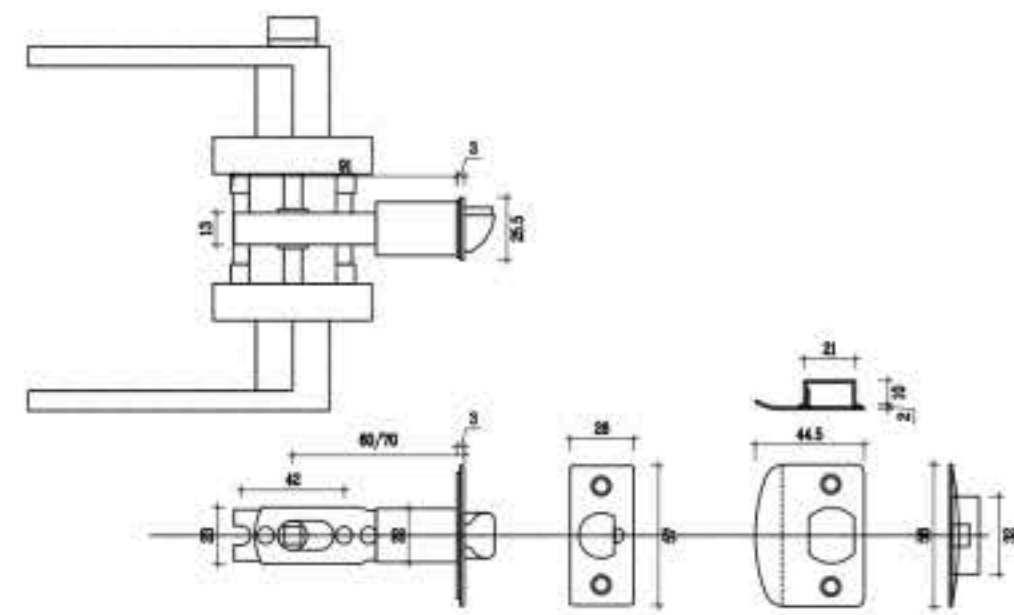


SS-01AE(with key)

Material: Aluminum Alloy

Color: Satin Nickel, Black

Unitl: set (equipped with lock body)



Lock Body
Dimension
Diagram

Latch Plate
Dimension
Diagram



Color: Satin Nickel



Color: Black

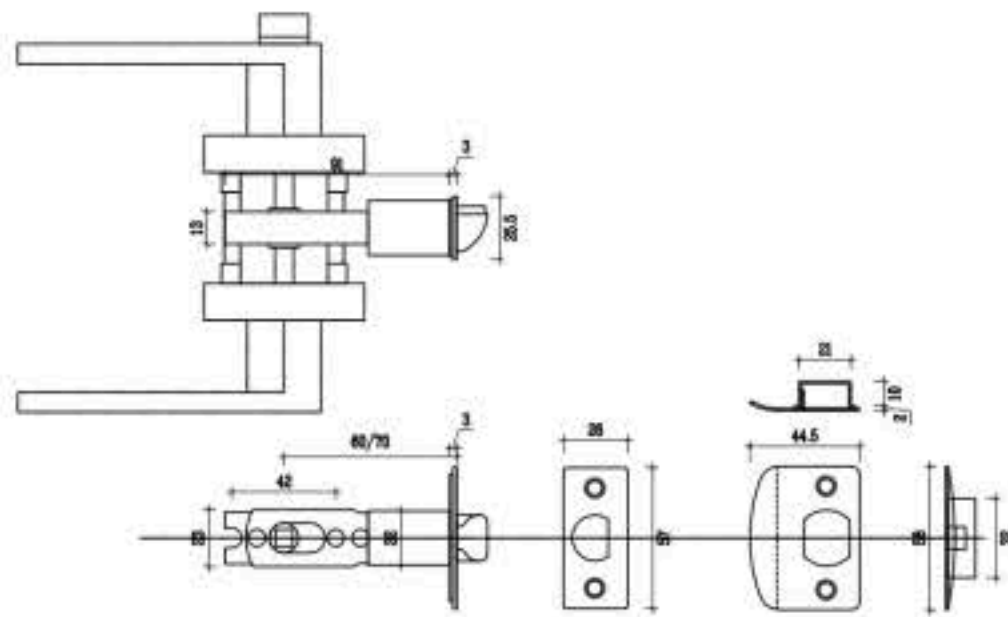


SS-02ZB(keyless)

Material: Zinc Alloy

Color: Satin Nickel, Black

Unitl: set (equipped with lock body)



Lock Body
Dimension
Diagram

Latch Plate
Dimension
Diagram



Color: Satin Nickel



Color: Black

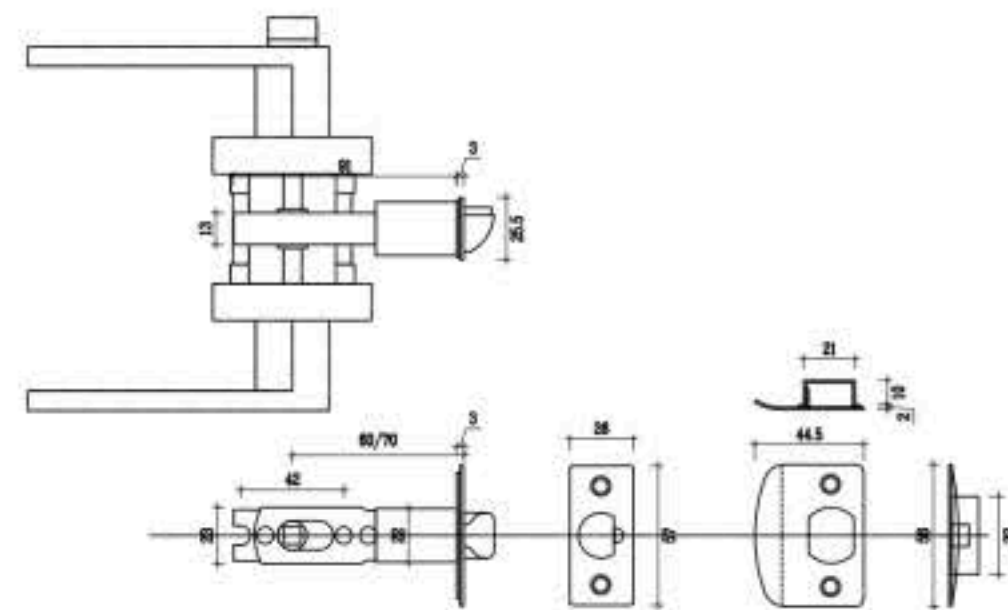


SS-02ZE(with key)

Material: Zinc Alloy

Color: Satin Nickel, Black

Unitl: set (equipped with lock body)



Lock Body
Dimension
Diagram

Latch Plate
Dimension
Diagram



Color: Satin Nickel



Color: Black

Suit lock

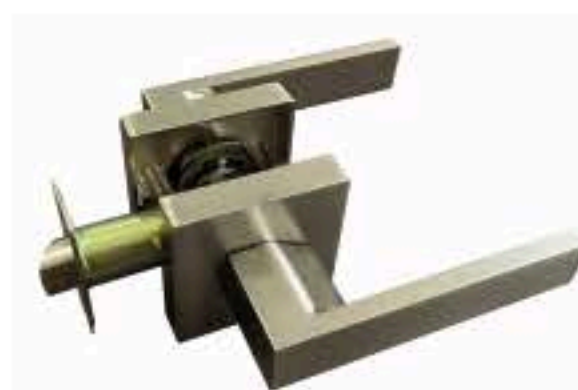


SS-03ZP (PS Passage Door Lock)

Material: Zinc Alloy

Color: Satin Nickel, Black

Unitl: set (equipped with lock body)



Color: Satin Nickel



Color: Black



SS-04SB (keyless)

Material: Stainless Steel 201

Color: Stainless Steel(SS)

Unitl: set (equipped with lock body)



SS-05SE (with key)

Material: Stainless Steel 201

Color: Stainless Steel(SS)

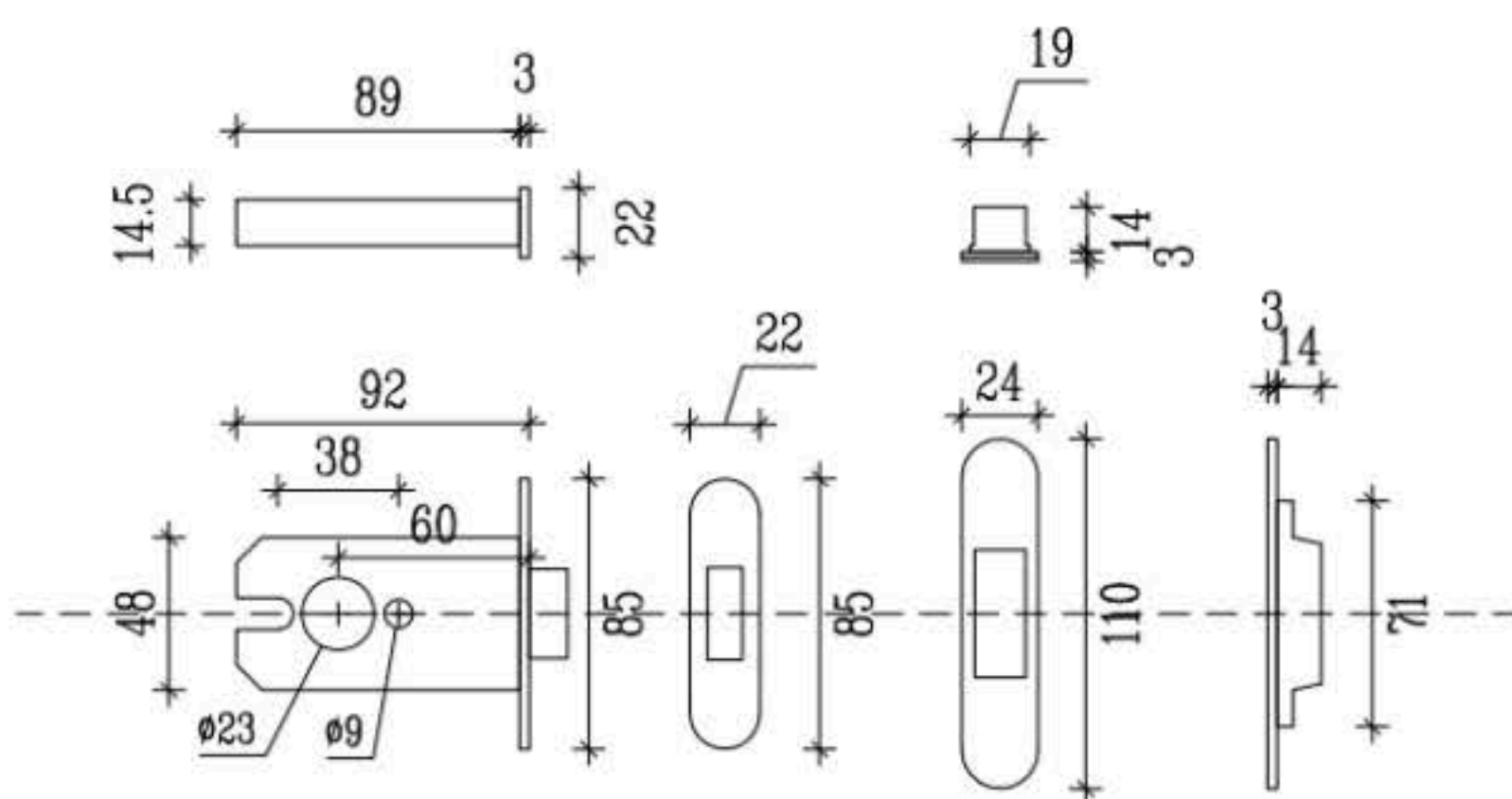
Unitl: set (equipped with lock body)

SS-06S0

Material: Stainless Steel 201

Color: Stainless Steel(SS)

Unitl: set (equipped with lock body)



Lock Body
Dimension
Diagram

Latch Plate
Dimension
Diagram



SS-07Z0

Material: Zinc Alloy

Color: Black

Unitl: set (equipped with lock body)



SS-07A0

Material: Aluminum Alloy

Color: Black

Unitl: set (equipped with lock body)



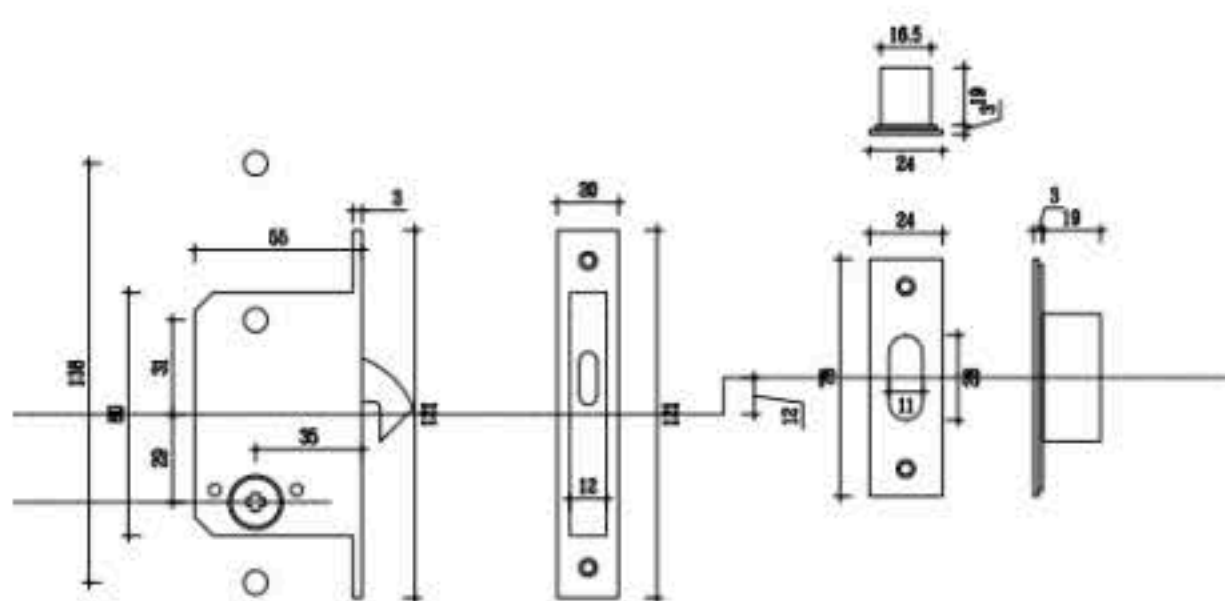
Color: Satin Nickel

Color: Black

SS-08Z0

Material: Zinc Alloy

Color: Satin Nickel, Black



Lock Body
Dimension
Diagram

Latch Plate
Dimension
Diagram



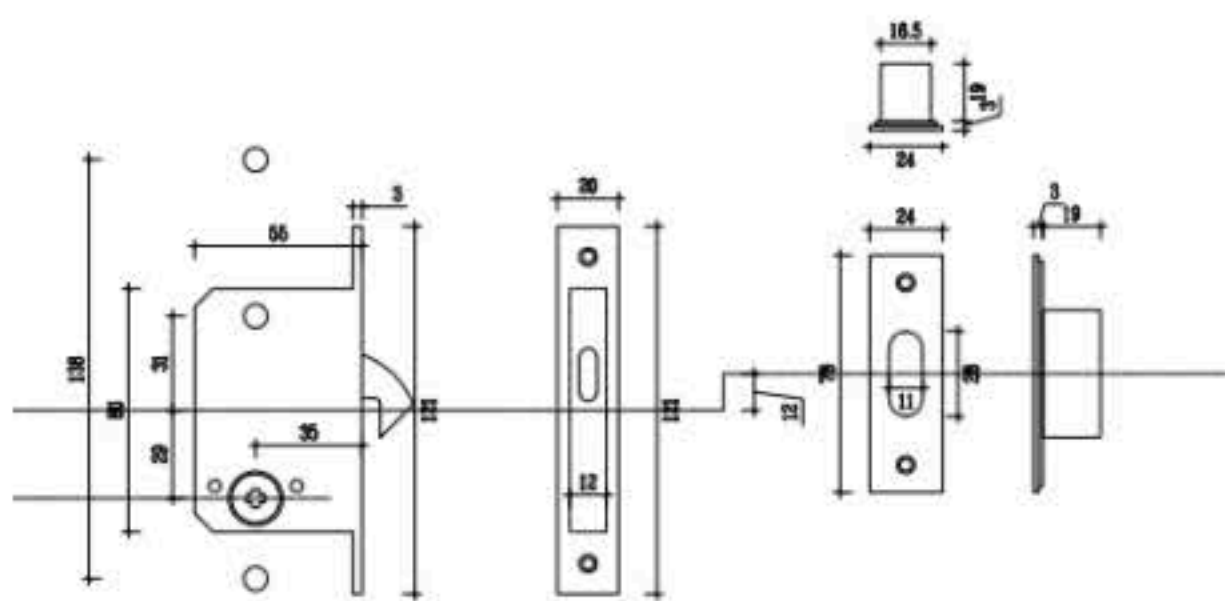
Color: Satin Nickel

Color: Black

SS-09Z0

Material: Zinc Alloy

Color: Satin Nickel, Black



Lock Body
Dimension
Diagram

Latch Plate
Dimension
Diagram



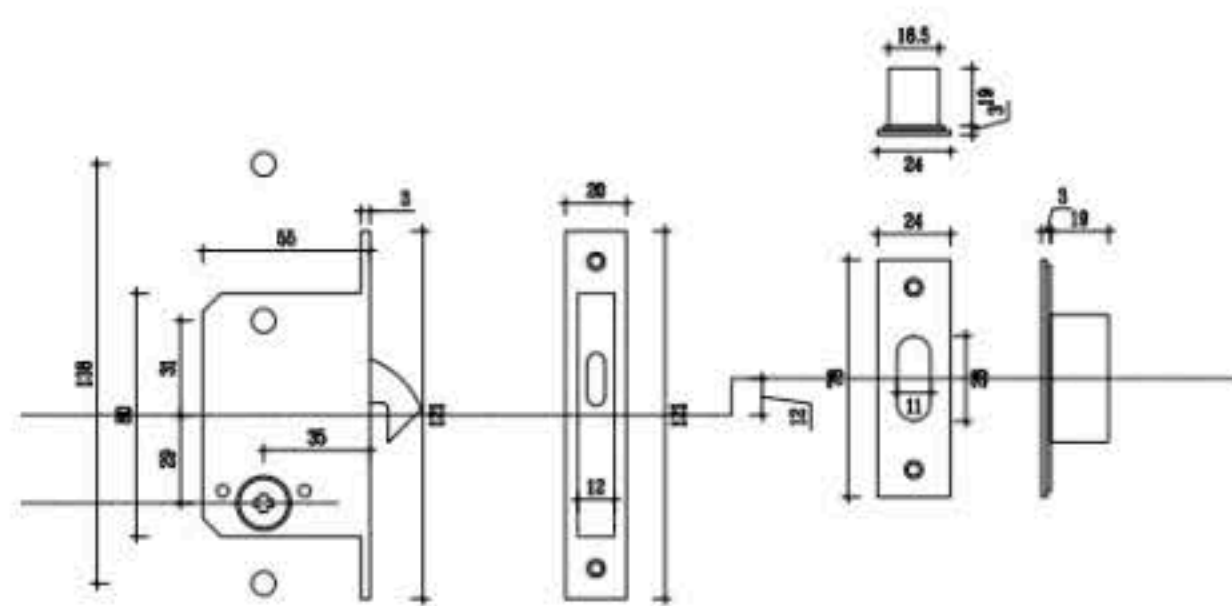


Color: Stainless Steel(SS) Color: Black

SS-10S0

Material: Stainless Steel 201

Color: Stainless Steel(SS)、Black



Lock Body
Dimension
Diagram

Latch Plate
Dimension
Diagram





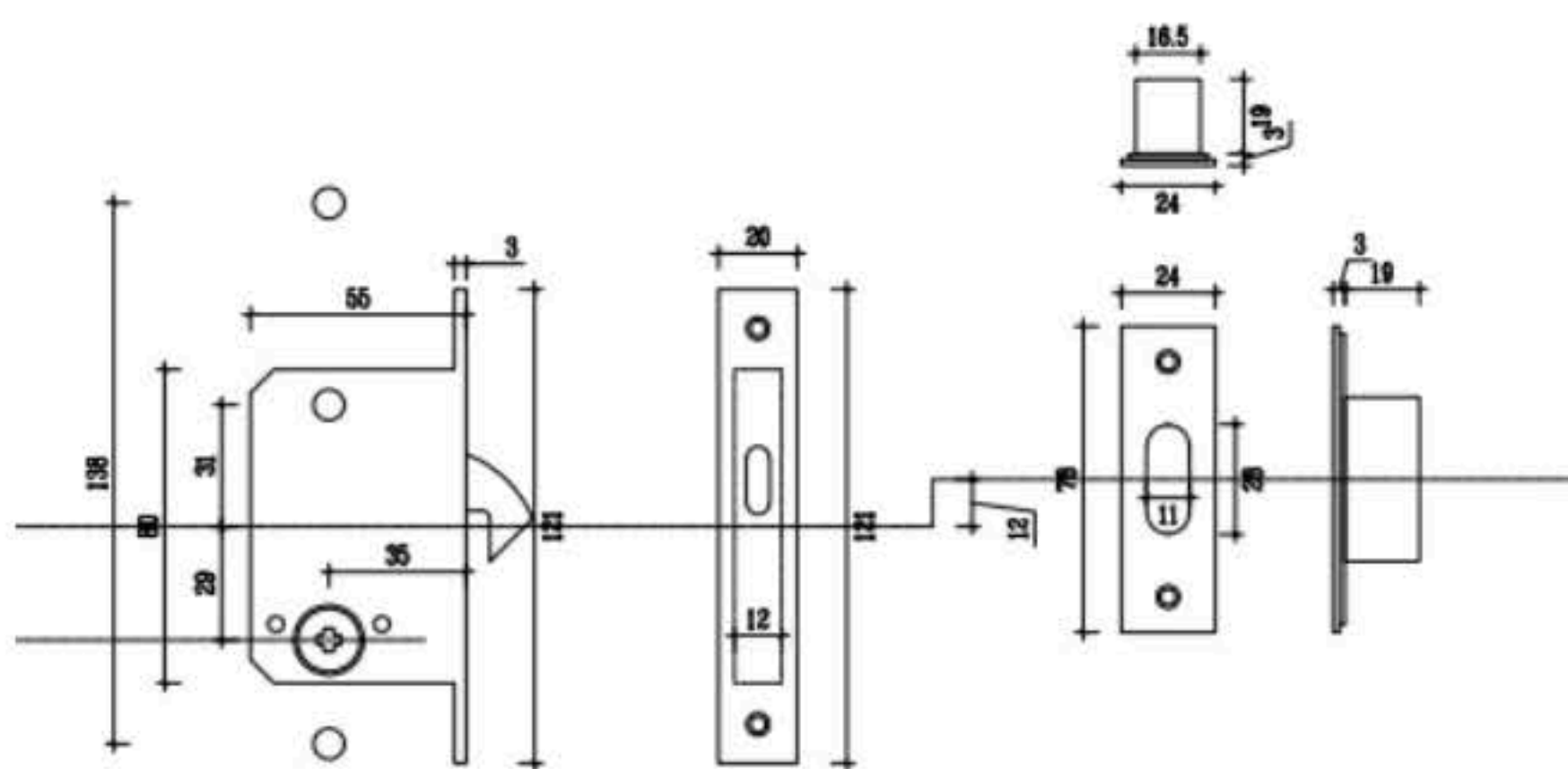
Color: Stainless Steel(SS)

Color: Black

SS-11S0

Material: Stainless Steel 201

Color: Stainless Steel(SS)、Black



Lock Body
Dimension
Diagram

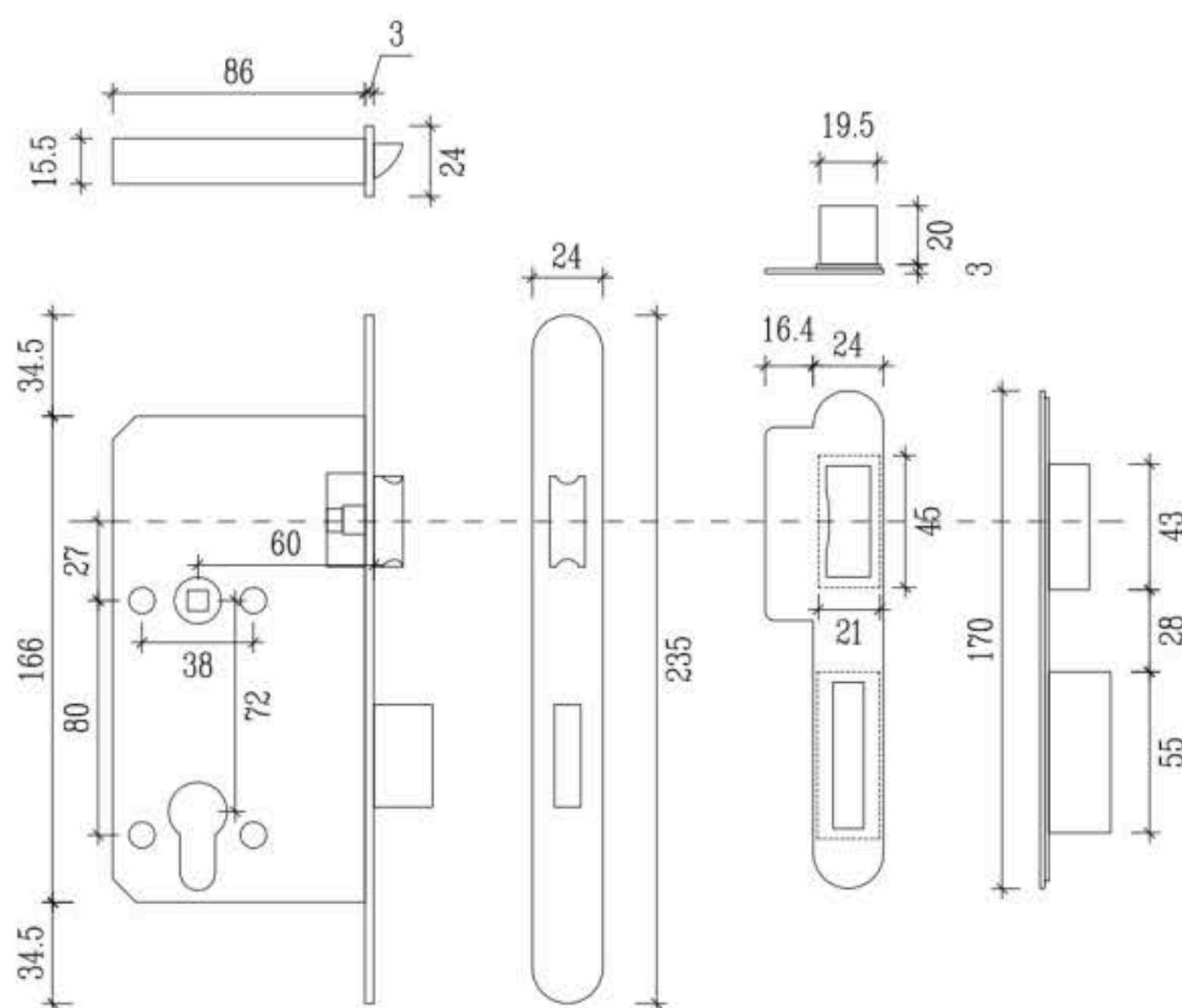
Latch Plate
Dimension
Diagram



SS-12SF (Fire-Rated Lock)

Material: Stainless Steel 304

Color: Stainless Steel(SS)



Parent-Child Hinge Z 2.5mm



Black

HZ-01S0 (201ss)

Material: Stainless Steel 201

Color: Black, Stainless Steel, Brushed Gold Finish



Stainless Steel



Brushed Gold Finish



Stainless Steel

HZ-02S0 (201ss)

Material: Stainless Steel 201

Color: Stainless Steel, Black, Gold



Black



Gold

Parent-Child Hinge Z 3.0mm



Stainless Steel

HZ-03S0 (304ss)

Material: Stainless Steel 304

Color: Stainless Steel, Black,
Gold



Black



Gold

Spring-loaded Nested Hinge Z 2.7mm



Stainless Steel

HZ-04SH (201ss)

Material: Stainless Steel 201

Color: Stainless Steel

Butterfly Hinge 2.0mm



100.2*94.7*2mm



100.2*94.7*2mm

HH-01T0

Material: iron

Color: Black, Gold, Satin Nickel
White



100.2*94.7*2mm



100.2*94.7*2mm



100*92.8*2mm



100*92.8*2mm

HH-02S0 (201ss)

Material: Stainless Steel 201

Color: Black, Stainless Steel, Gold



100*92.8*2mm

3D Adjustable Concealed Hinge



150*25mm

HY-01ZU

Material: Zinc Alloy

Color: Black, Silver, White

Unitl: pcs



150*25mm

150*25mm



140*30mm

HY-02ZU

Material: Zinc Alloy

Color: Black, White

Unitl: pcs



140*30mm

5" Hydraulic Butt Hinge



HY-03AH

Material: Aluminum Alloy

Color: Black

Unitl: pcs

5" Offset Pivot Hydraulic Hinge



HY-04AH

Material: Aluminum Alloy

Color: Black

Unitl: pcs

5" Hydraulic Parent-Child Hinge



HY-05AH

Material: Aluminum Alloy

Color: Black

Unitl: pcs



Single-sided 3D Concealed Hinge

HY-06ZU

Material: Zinc Alloy

Color: Black

Unitl: pcs

Butt Hinge 3.0mm



HP-01S0 (201ss)

Material: Stainless Steel 201

Color: Natural Brushed Finish, Black
Brushed Gold Finish



102*102*3mm

Spring Butt Hinge



4*3*3 inch

HP-02SH (201ss)

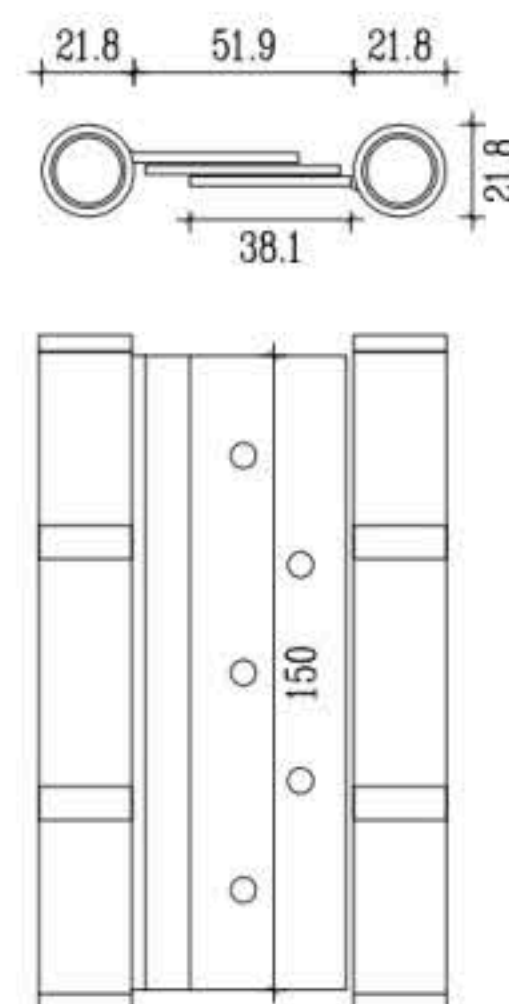
Material: Stainless Steel 201

Color: Natural Brushed Finish

Sliding Door Roller Hanger



6 inch

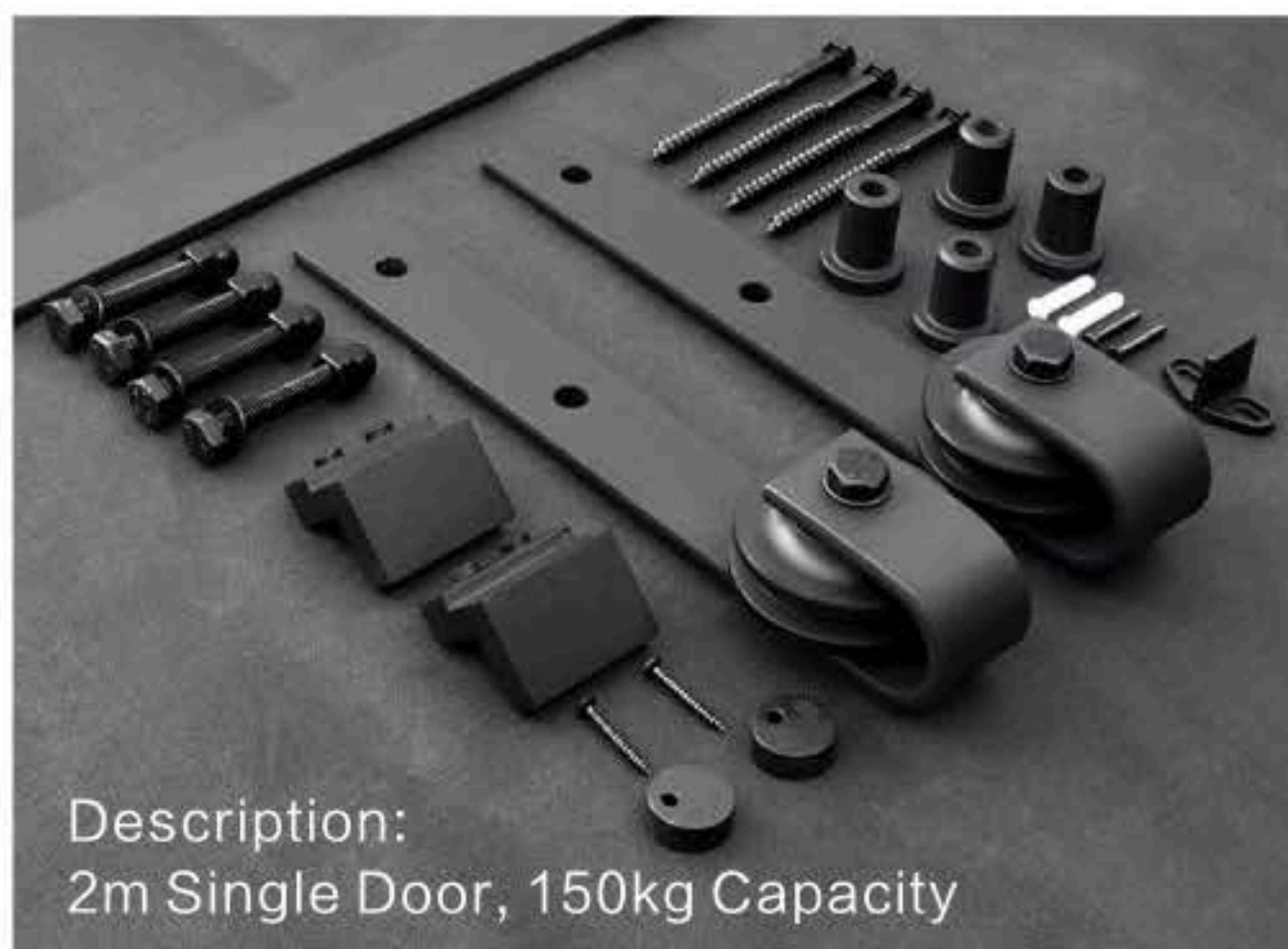


HP-03S0 (201ss)

Material: Stainless Steel 201

Color: Natural Brushed Finish

Barn Door



QG-01T0

Material: Iron

Color: Black

Sliding Door Roller Hanger



QW-01S0

Material: Stainless Steel

Color: Silver

Damped Sliding Door Roller



QW-03ZD

Material: zinc alloy+Iron

Color: Silver

Sliding Door Roller Hanger



QW-02Z0

Material: zinc alloy+Iron

Color: Silver

Damped Sliding Door Roller



Description:
2.5mm Thick Track (2m), 60kg Capacity

QW-04ZD

Material: zinc alloy+Iron

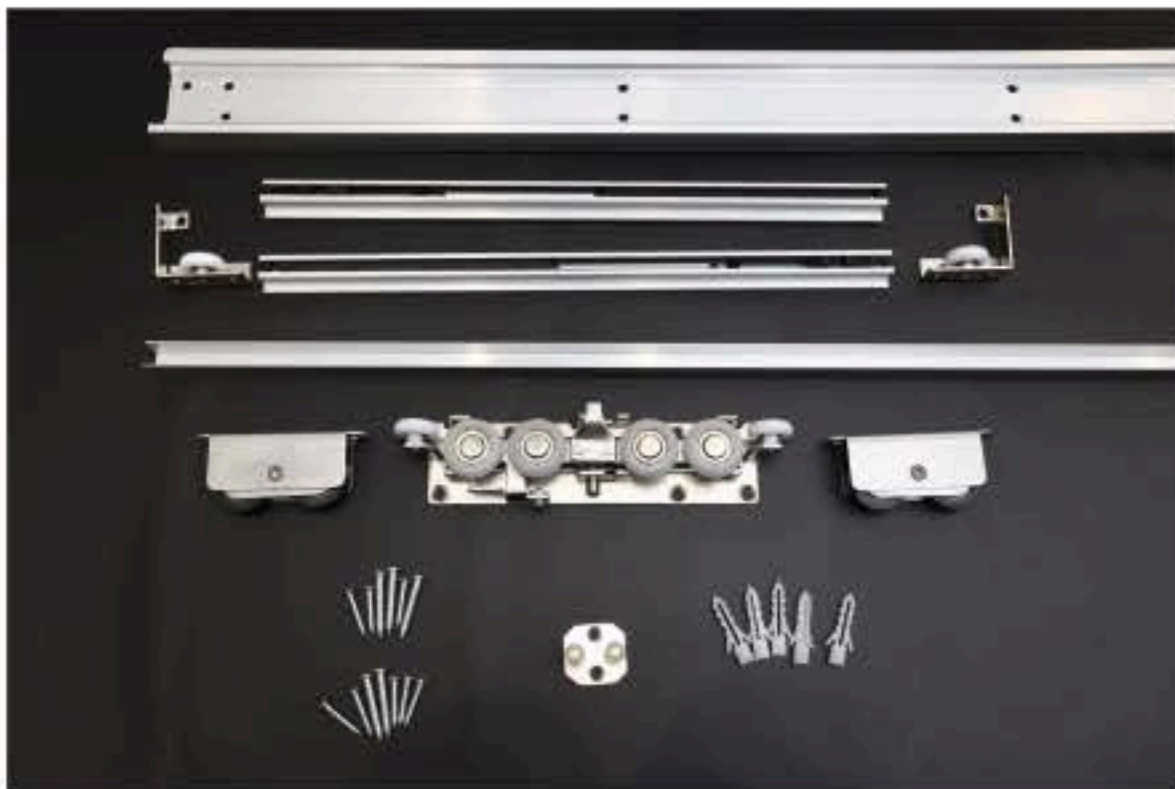
Color: Silver

QR-01AD

Material: Aluminum Alloy

Color: Silver

Hidden Track Sliding Door Hardware



Description:
1.2m Track, 80kg Capacity

QY-01AD

Material: Aluminum Alloy+steel

Color: Silver

Pocket door accessories



QP-01ZD

Material: zinc alloy+Iron

Color: Silver



Description:
1m Track, 80kg Capacity

QR-02AD

Material: Aluminum Alloy

Color: Silver

Folding Door Track

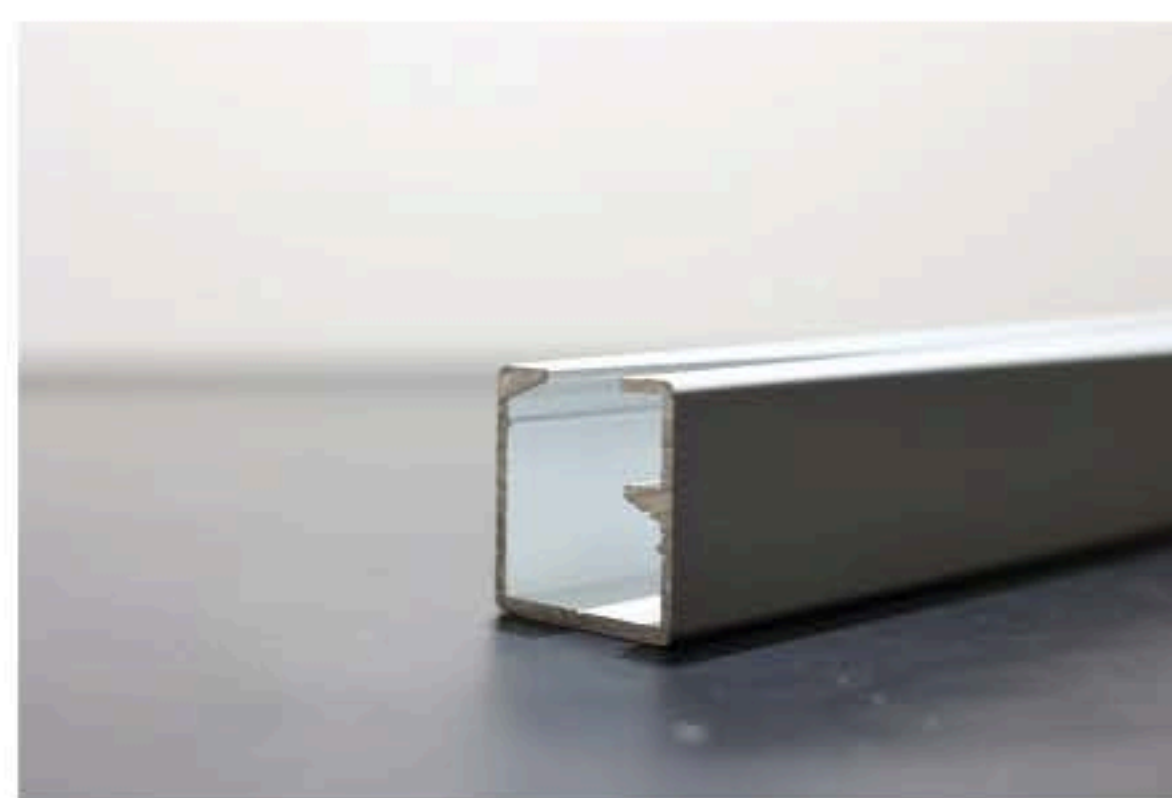


Description: Folding Door Roller with
3 Cross-type Hinges, 30kg Capacity

QF-01Z0

Material: zinc alloy+Iron

Color: Silver



Description: 1m Track, 80kg Capacity

QR-03AD

Material: Aluminum Alloy

Color: Silver

Door Closer

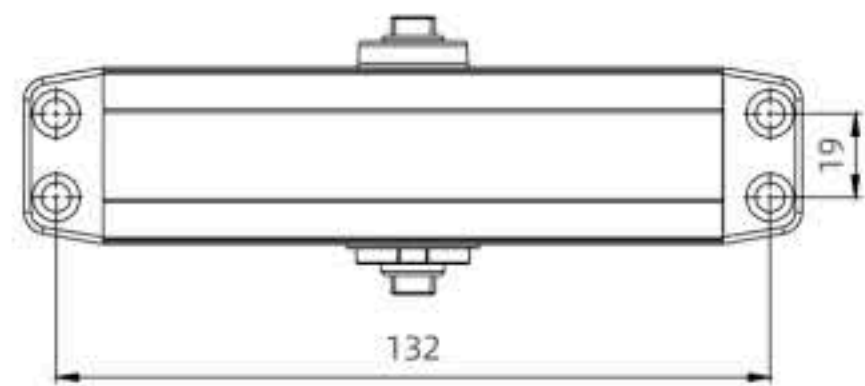
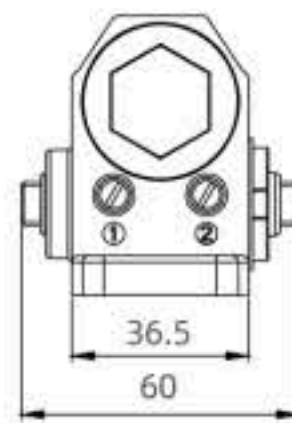
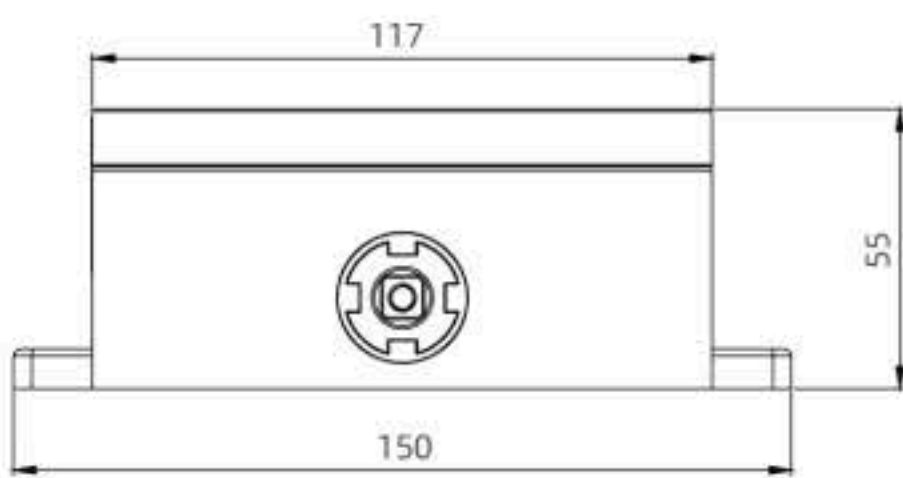
DE-01Z0



Technical Parameter

Suitable Door Weight	Power Size	Suitable Door Width	Product Size	Hole Distance	Back Check Function	90° Hold Open Function	180° Non-hold Open Function	Product Opening Cycles
25-45kgs	EN 2	33"	150x36.5x55	132x19mm	No	OPTIONAL	Yes	300000

Product Size



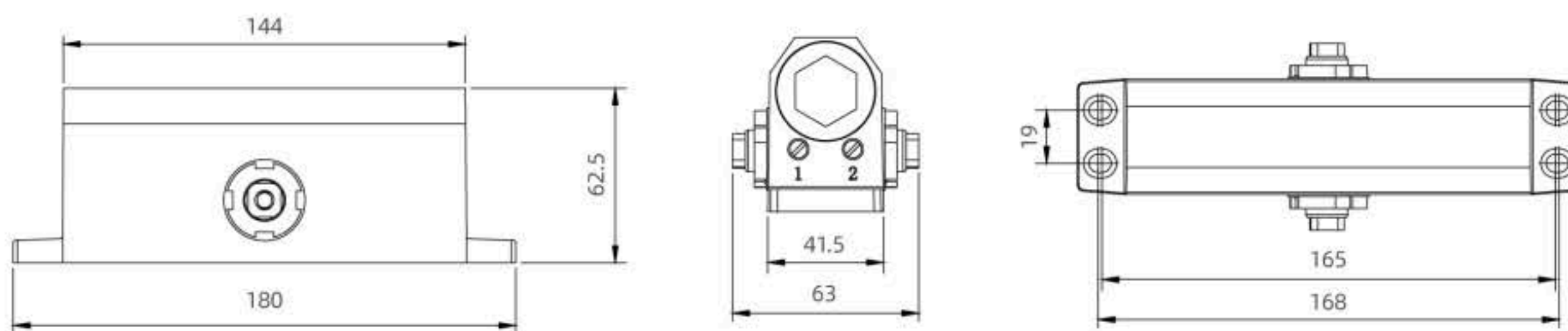
DE-02Z0



Technical Parameter

Suitable Door Weight	Power Size	Suitable Door Width	Product Size	Hole Distance	Back Check Function	90° Hold Open Function	180° Non-hold Open Function	Product Opening Cycles
45-65kgs	EN3	950mm	180x41.5x62.5	165-168x19mm	No	OPTIONAL	Yes	300000

Product Size



Door Closer

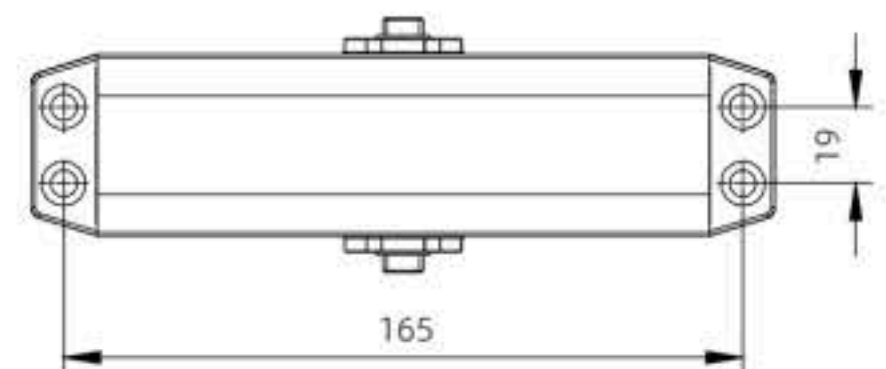
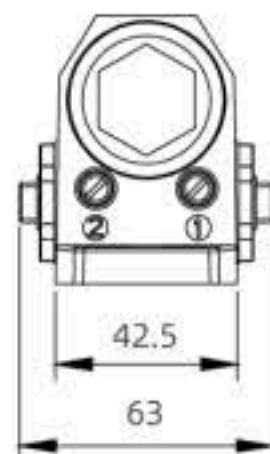
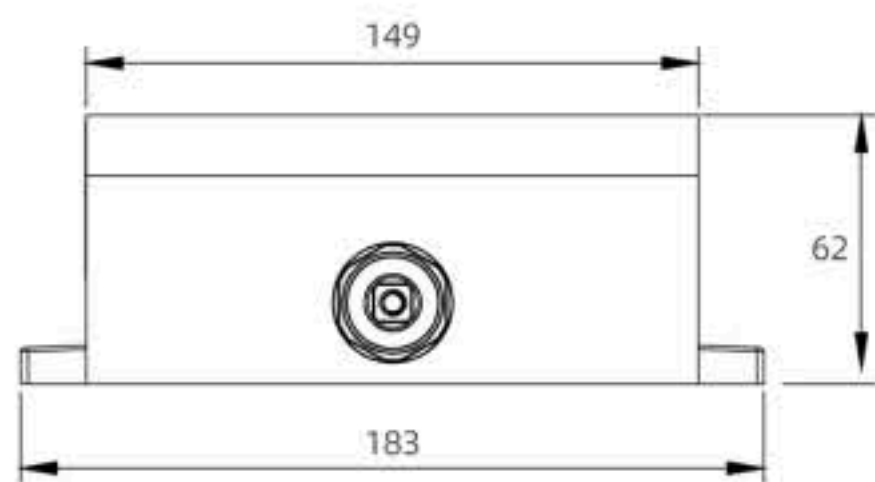
DE-03Z0



Technical Parameter

Suitable Door Weight	Power Size	Suitable Door Width	Product Size	Hole Distance	Back Check Function	90° Hold Open Function	180° Non-hold Open Function	Product Opening Cycles
45-65kgs	EN3	950mm	183x42.5x62	165x19mm	Yes	OPTIONAL	Yes	300000

Product Size



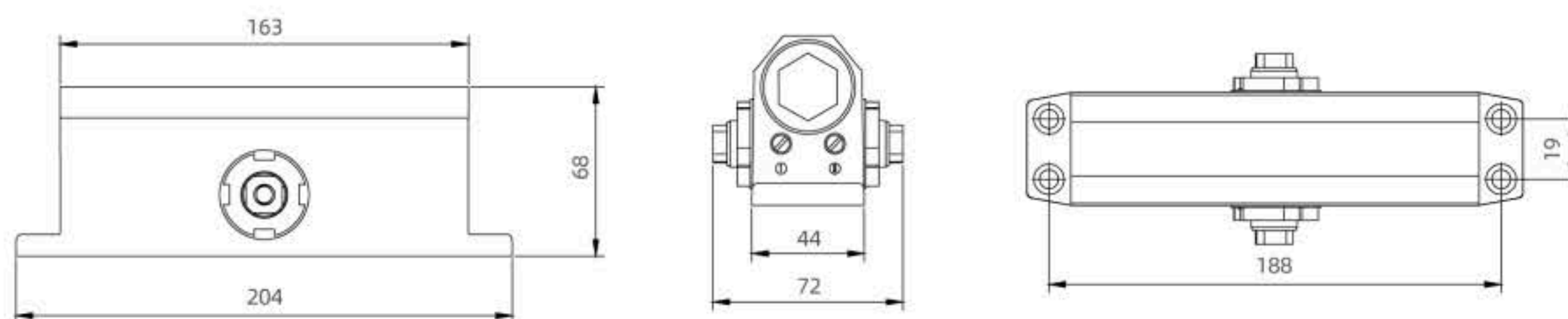
DE-04Z0



Technical Parameter

Suitable Door Weight	Power Size	Suitable Door Width	Product Size	Hole Distance	Back Check Function	90° Hold Open Function	180° Non-hold Open Function	Product Opening Cycles
60-80kgs	EN 4	1100mm	204x44x68	188x19mm	No	OPTIONAL	Yes	300000

Product Size



Door Closer

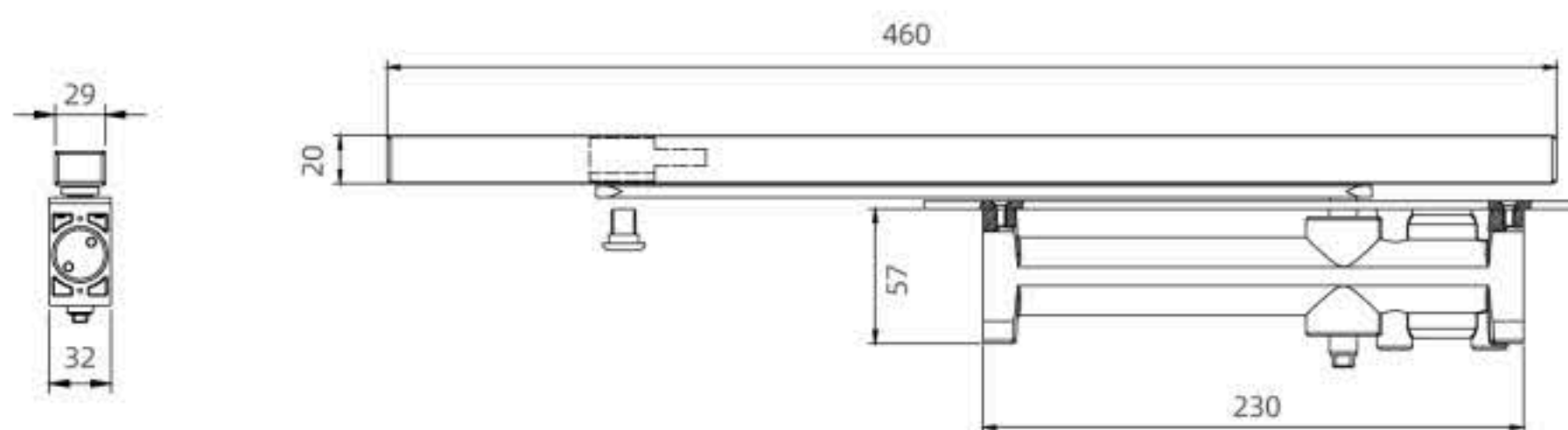
DH-01Z0



Technical Parameter

Suitable Door Weight	Power Size	Suitable Door Width	Product Size	Hole Distance	Back Check Function	90° Hold Open Function	180° Non-hold Open Function	Product Opening Cycles
30-60kgs	EN 3	950mm	230x57x32	230x19mm	No	OPTIONAL	Yes	300000

Product Size



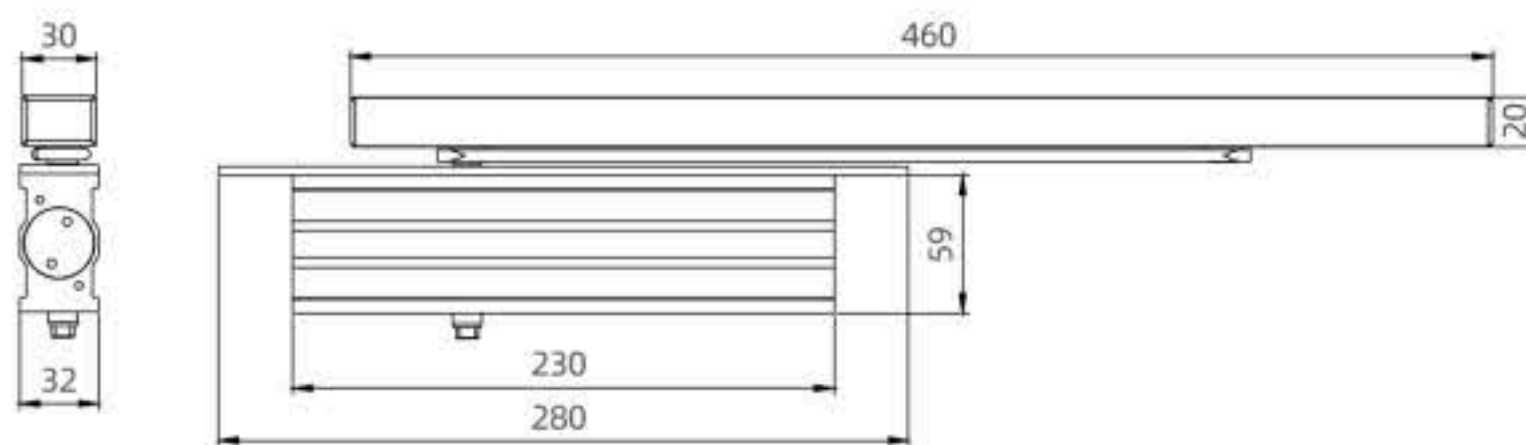
DH-02Z0



Technical Parameter

Suitable Door Weight	Power Size	Suitable Door Width	Product Size	Hole Distance	Back Check Function	90° Hold Open Function	180° Non-hold Open Function	Product Opening Cycles
30-60kgs	EN 3	950mm	230x59x32	230x19mm	No	OPTIONAL	Yes	300000

Product Size



Door Closer

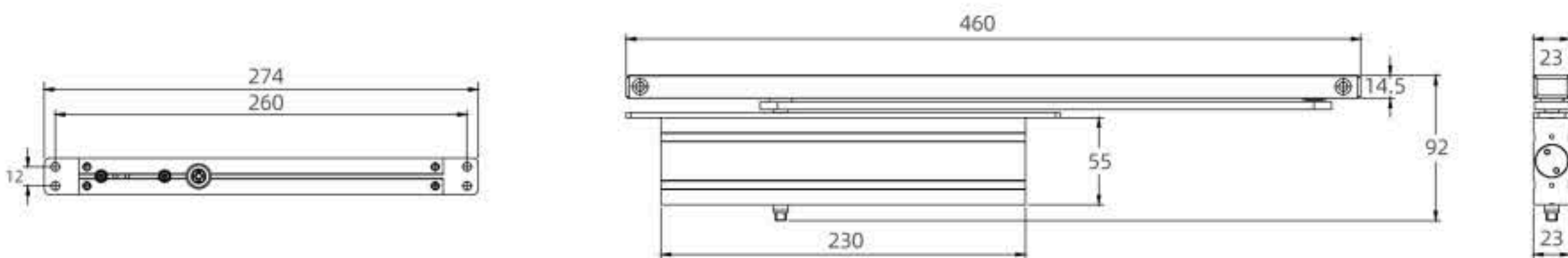
DH-03Z0



Technical Parameter

Suitable Door Weight	Power Size	Suitable Door Width	Product Size	Hole Distance	Back Check Function	90° Hold Open Function	180° Non-hold Open Function	Product Opening Cycles
25-45kgs	EN 2	850mm	230x55x23	218x20mm	No	OPTIONAL	Yes	300000

Product Size



Dust Barrier Strip



Description:
Door Panel Application Range
400mm-510mm

DF-01AU (510mm)

Material: Aluminum Alloy

Color: Silver



Description:
Door Panel Application Range
600mm-710mm

DF-02AU (710mm)

Material: Aluminum Alloy

Color: Silver



Description:
Door Panel Application Range
700mm-810mm

DF-03AU (810mm)

Material: Aluminum Alloy

Color: Silver



Description:
Door Panel Application Range
805mm-915mm

DF-04AU (915mm)

Material: Aluminum Alloy

Color: Silver



Description:
Door Panel Application Range
950mm–1060mm

DF-05AU (1060mm)

Material: Aluminum Alloy

Color: Silver



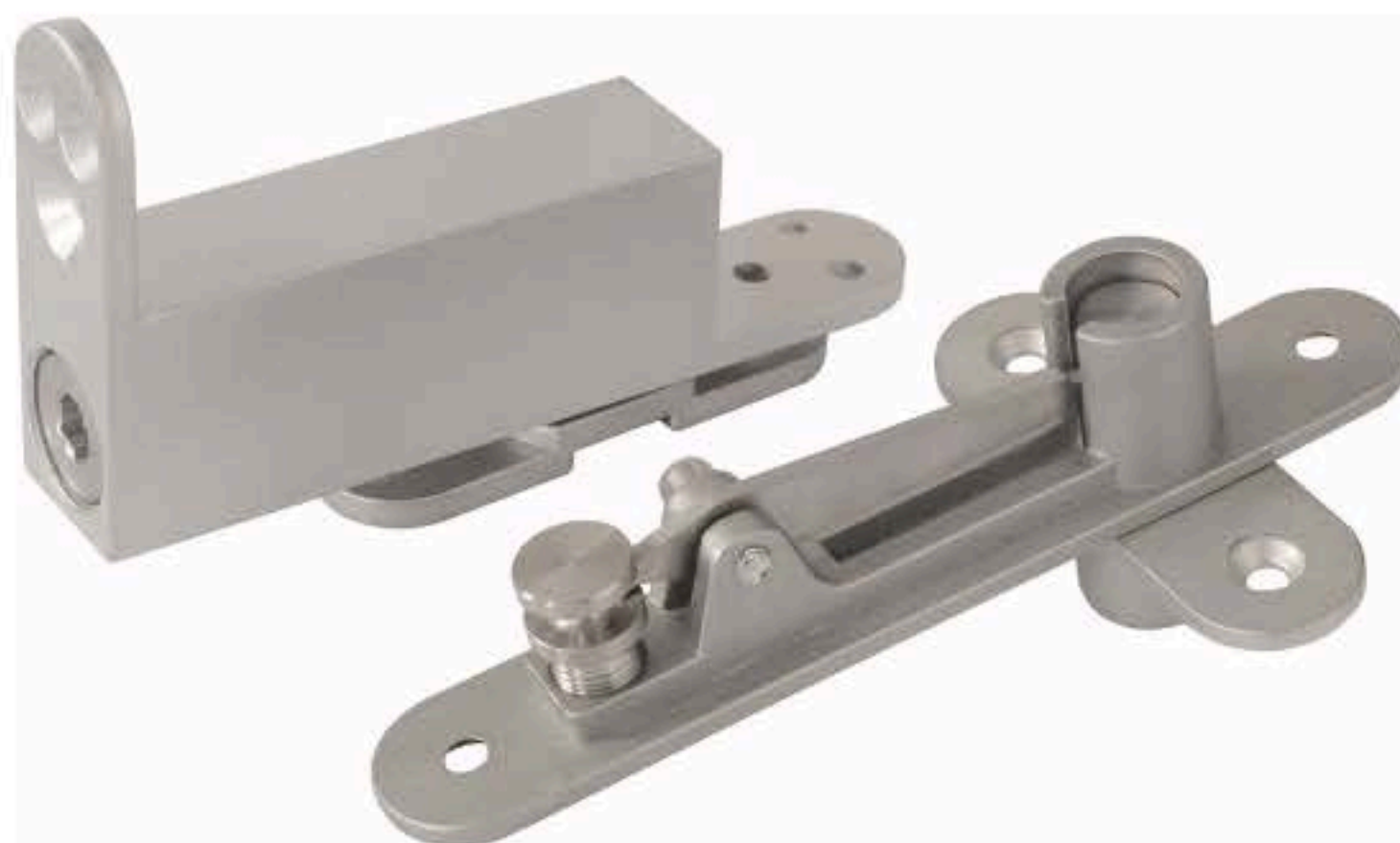
Description:
Door Panel Application Range
1100mm–1210mm

DF-06AU (1210mm)

Material: Aluminum Alloy

Color: Silver

Floor Springs



DT-02Z0

Material: Zinc Alloy

Color: Silver

Description:
Drill-free floor mounted hydraulic offset pivot system for
wooden doors, 60kg load capacity

Small Hardware Accessories



Security Chain



Security Chain



Security Latch

FD-01S0

Material: 201 Stainless Steel

Color: Black, Stainless Steel

Unit: pcs

FD-02Z0

Material: Zinc Alloy

Color: Stainless Steel

Unit: pcs

Security Latch



Color: Silver



Color: Black



Color: Gray



Color: Sand-Gold

FD-03A0

Material: Aluminum Alloy

Color: Silver, Black, Gray, Satin Gold

Unit: pcs



KJ-TB-L65



KJ-TB-L50



KJ-TB-V



KJ-TB-90°



KJ-QB-15



KJ-TJX-45



Peephole (Matte Black)



Peephole (Bright Chrome)



Door Stopper

FM-01Z0

Material: Zinc Alloy

Color: Matte Black, Chrome Plated

Unitl: pcs

MX-01TM

Material: Zinc Alloy + Iron Composite

Color: Matte Black

Unitl: pcs



Plastic Door Stopper -Silver

MX-02PM

Material: Plastic + 3M Tape

Color: Silver, Black, White

Unitl: pcs



Plastic Door Stopper -Black



Plastic Door Stopper -White

Small Hardware Accessories

Push-to-Open Latch



Push-to-Open Latch

MX-03ZM

Material: Zinc Alloy

Color: Black

Unit: pcs

Bathroom indicator circle



Color: Satin Nickel



Color: Black



Color:PVD Gold

DL-01Z0

Material: Zinc Alloy+Plastic

Color: Satin Nickel, Black, PVD Gold

Unit: pcs

Door Bolt C

4 inches Concealed Flush Bolt



Color: Stainless Steel

CX-01SU

Material: 201 Stainless Steel

Color: Stainless Steel

Unitl: pcs

6 inches Concealed Flush Bolt



Color: Stainless Steel

CX-02SU

Material: 201 Stainless Steel

Color: Stainless Steel, Black, Gold

Unitl: pcs



Color: Black



Color: Gold